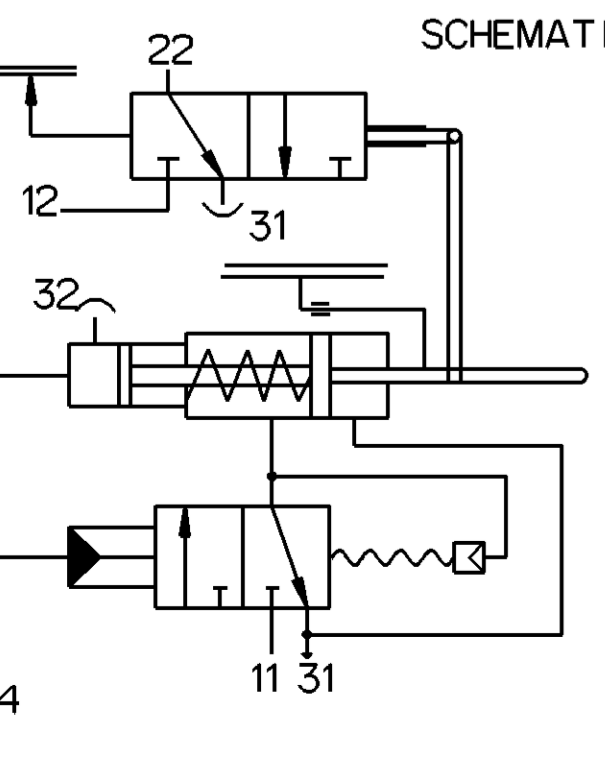
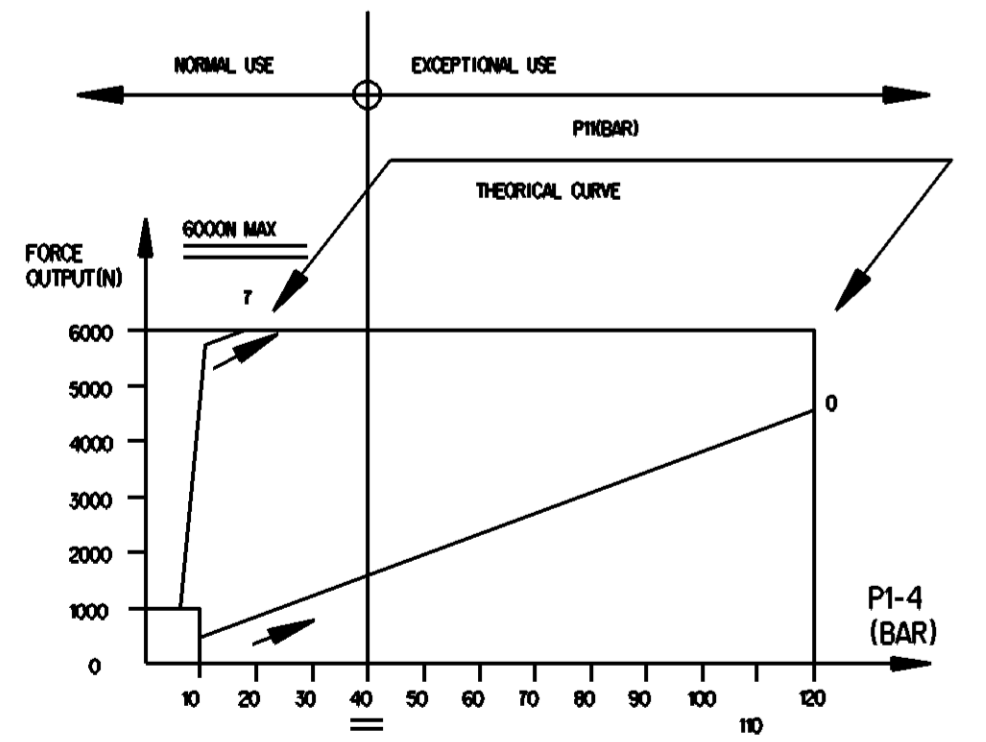
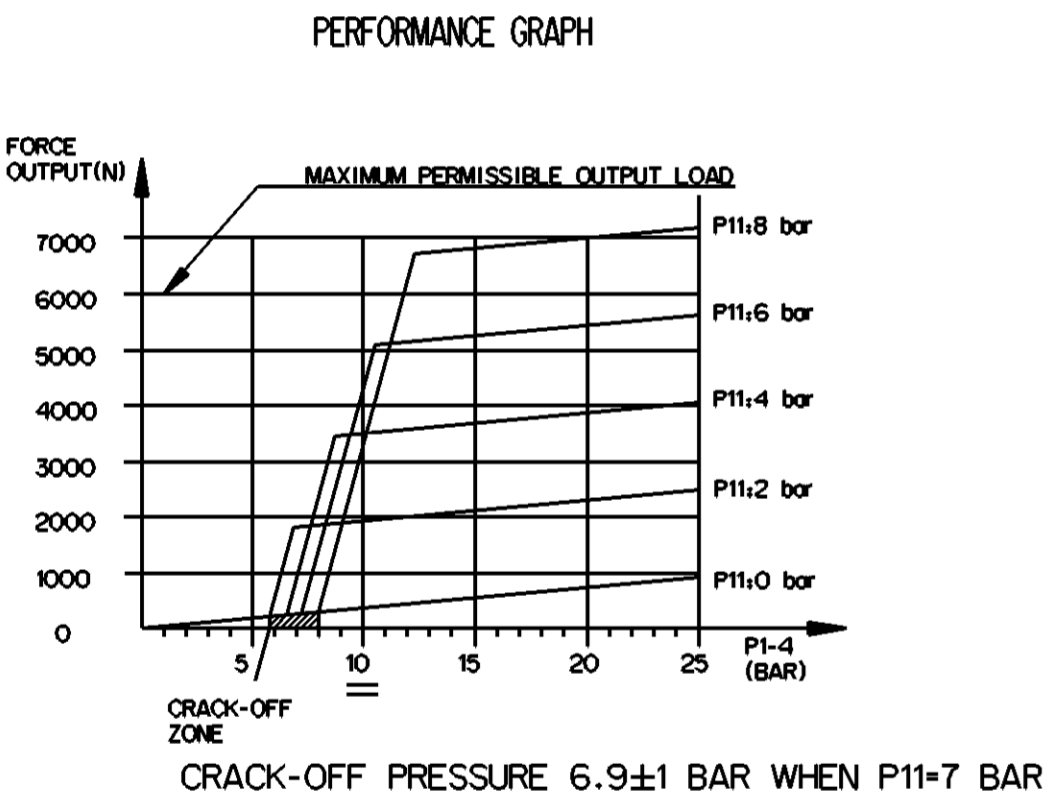
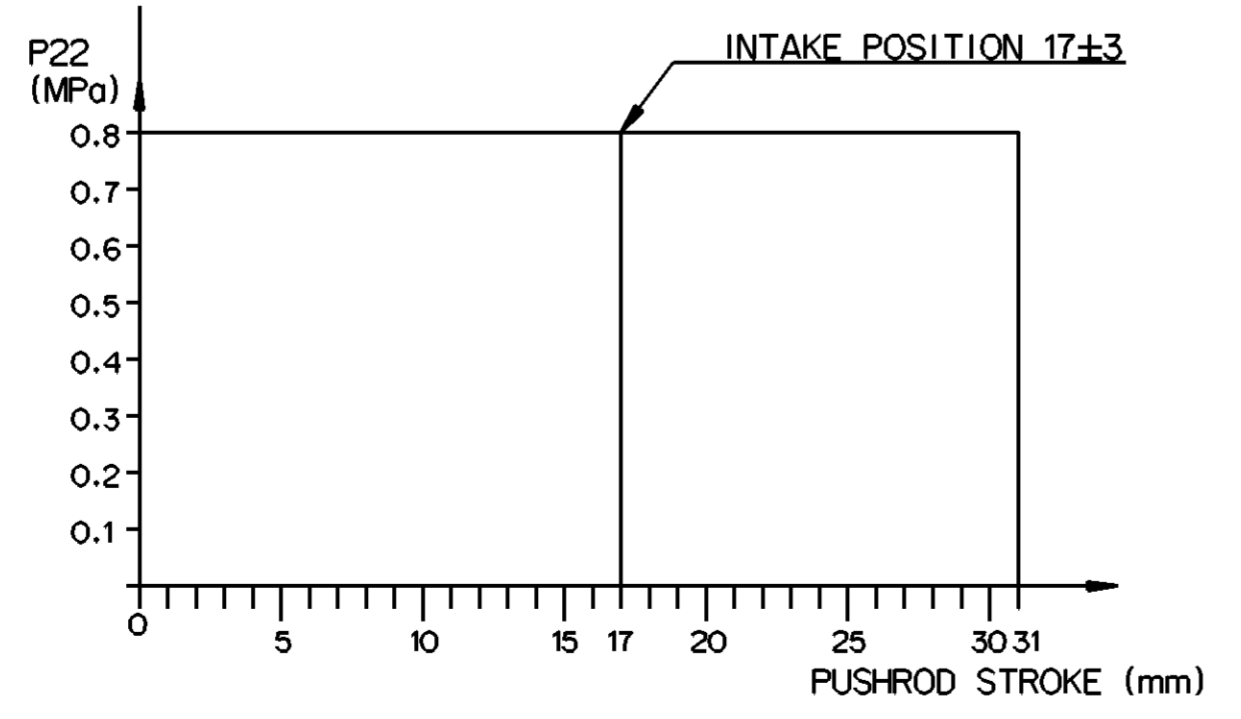
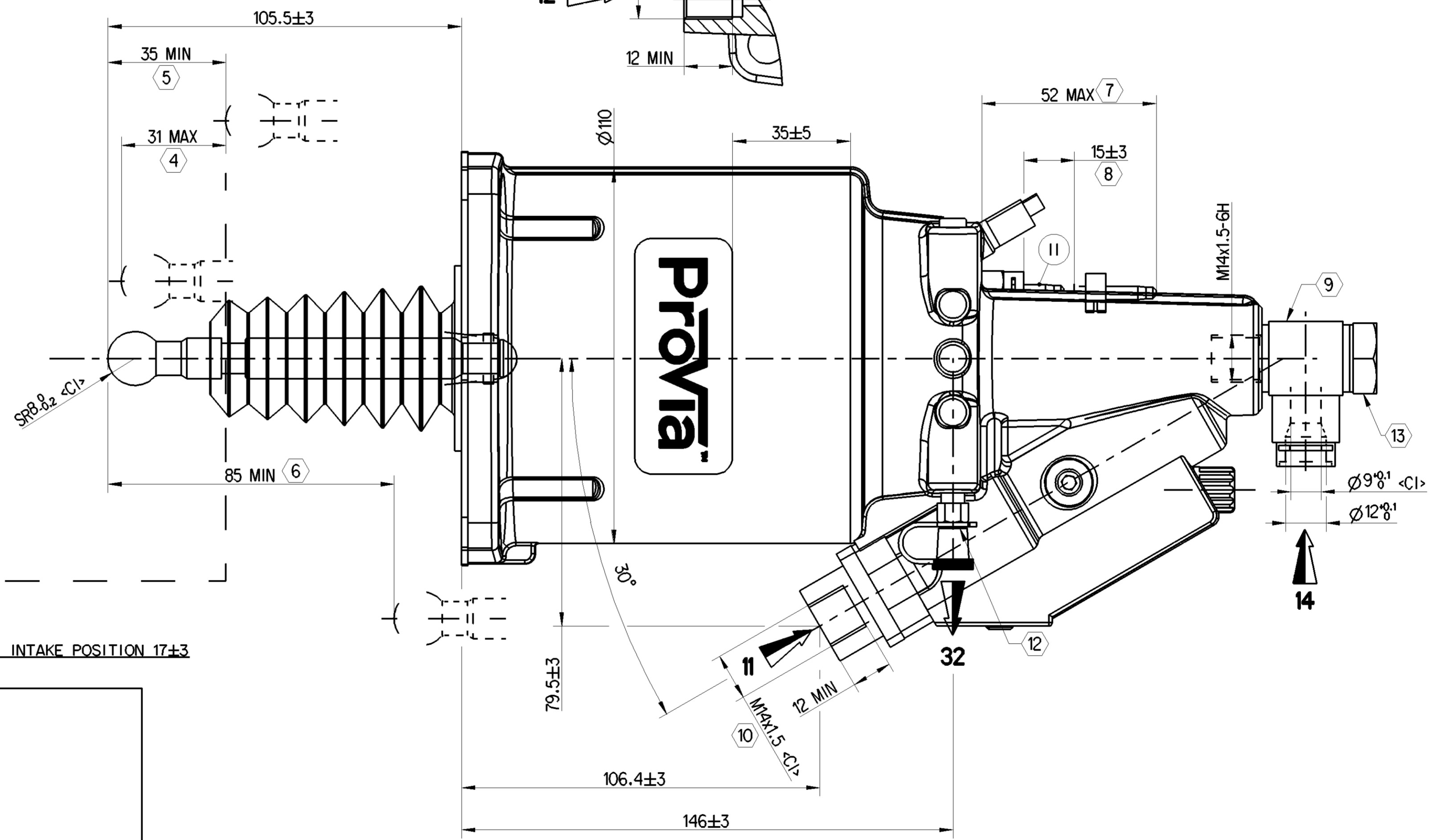
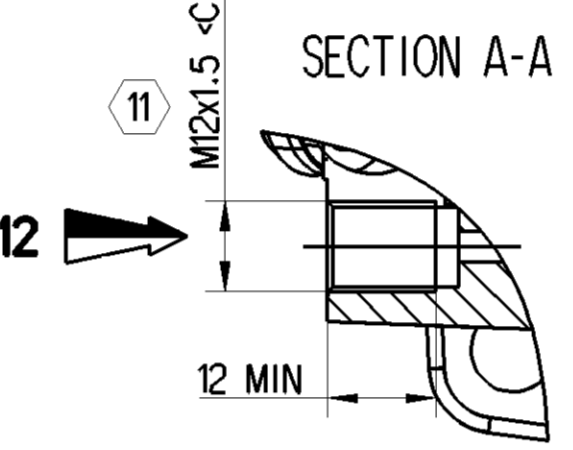
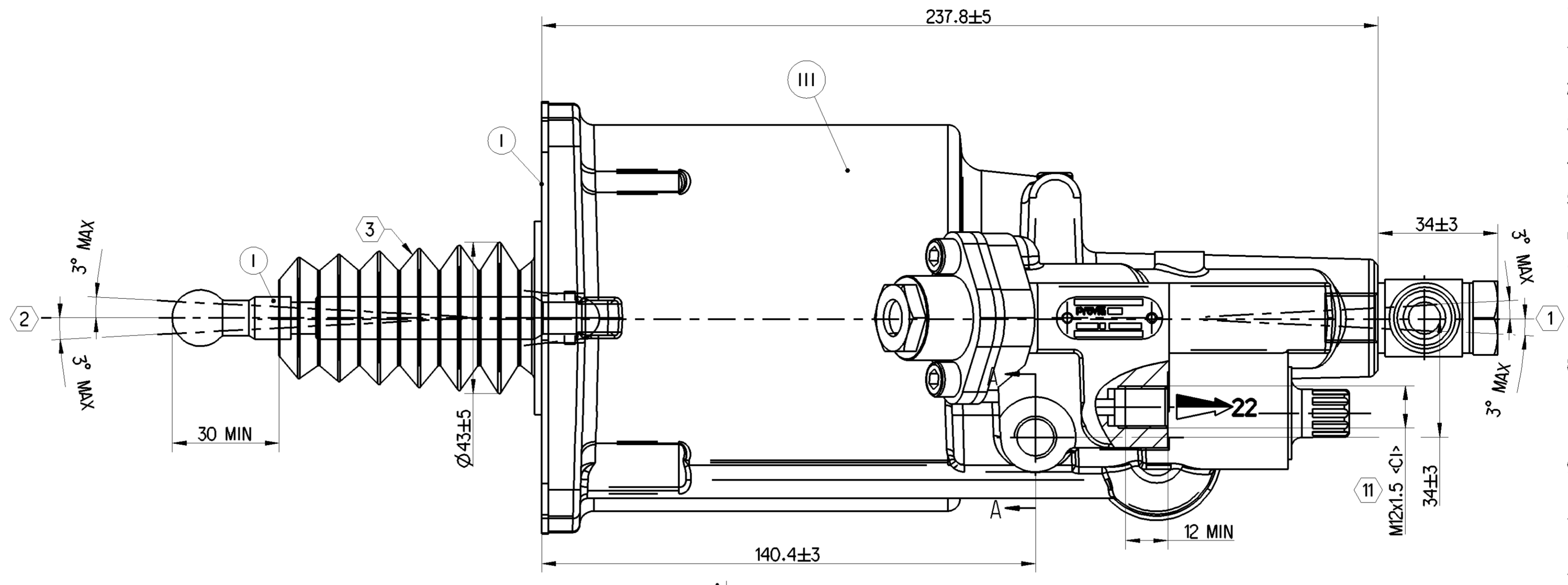
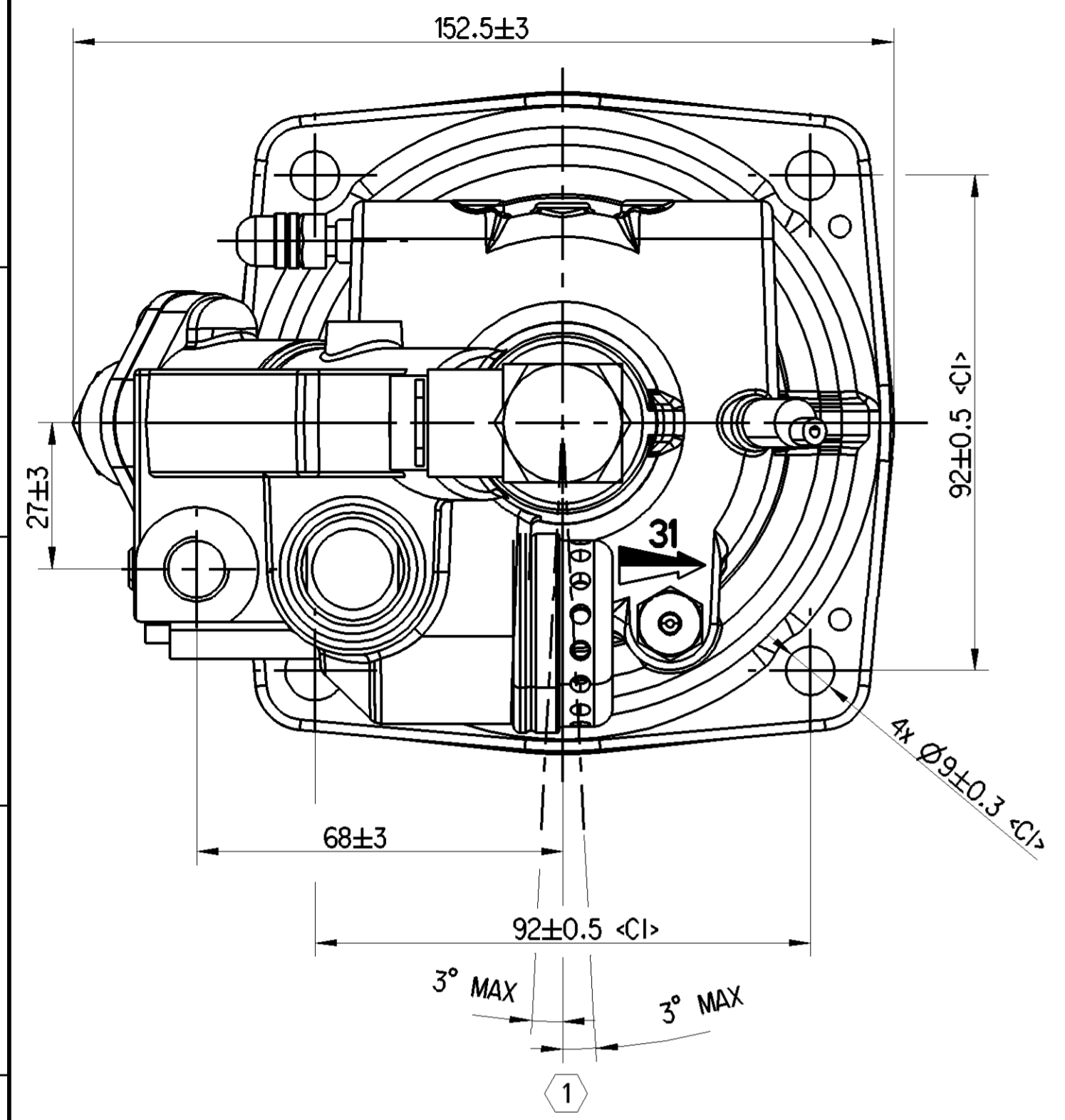
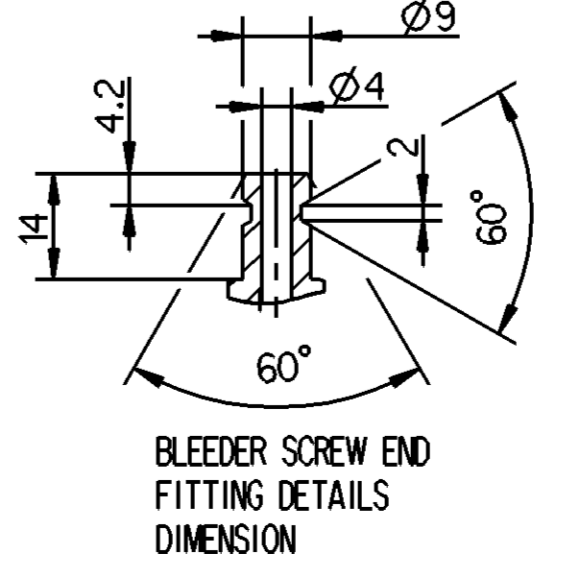
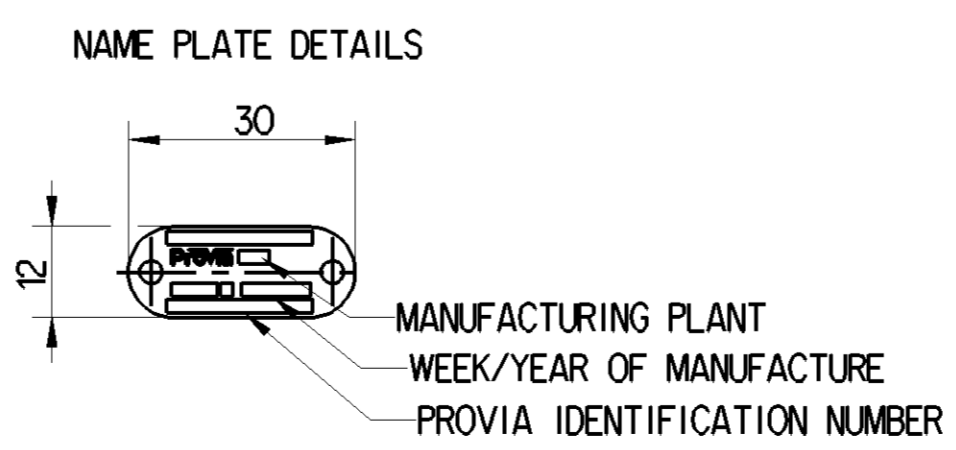


III	ALUMINIUM ALLOY	HARD ANODIZING
II	STEEL	SALT BATH (BLACK)
I	STEEL	GALVANIZED (WHITE)
POS	MATERIAL	SURFACE PROTECTION

<1>	SAFETY CHARACTERISTICS	0
<2>	SIGNIFICANT CHARACTERISTICS	0
<C1>	CUSTOMER INTERFACE	8



MARKING OF PORTS	
11	AIR INLET
14	OIL INLET
12	AIR INLET
22	AIR OUTLET
31	AIR EXHAUST
32	BLEED SCREW



- TECHNICAL INFORMATION
- HYDRAULIC TANK DIA : $\varnothing 22\text{mm}$
 - AIR TANK DIA : $\varnothing 102\text{mm}$
 - HYDRAULIC WORKING PRESSURE 4MPa
 - HYDRAULIC WORKING PRESSURE MAX 12MPa
 - AIR WORKING PRESSURE MAX 1MPa
 - WORKING TEMPERATURE : -40°C TO $+80^{\circ}\text{C}$
 - MEDIUM
HYDRAULIC MEDIUM : DOT 4 BASED BRAKE FLUID IN ACCORDANCE WITH SAE J 1703
PNEUMATIC MEDIUM : AIR
 - OIL VOLUME INPUT : $V=(Sh+c)+K$
K : ABSORPTION AT 120 BAR FOR C=0, $K<1.5\text{cm}^3$
SH : HYDRAULIC SECTIONAL AREA = 3.8cm^2
C : GEAR DISENGAGING STROKE
 - OPEN PORTS ARE FITTED WITH CLOSURE PLUG FOR STORAGE AND TRANSMIT PURPOSE
 - CAUTION : DO NOT ACTUATE THE DEVICE IF NOT FITTED ON ITS MOUNTING BRACKET
 - WITH STROKE WEAR INDICATOR
 - DO NOT OPERATE THIS PRODUCT WITHOUT INSTALLATION OR FIXATION ON THE BRACKET

- NOTES
- DEVICE EXTREME POSITION WHEN BLEEDING
 - MISALIGNMENT OF PUSHROD IN ANY DIRECTION
 - BOOT THERMAL RANGE -40°C TO $+130^{\circ}\text{C}$
 - GEAR DISENGAGING STROKE
 - POSITION TO NOTE (CLUTCH IN NEW CONDITION)
 - STROKE
 - ADJUSTMENT OF WEAR INDICATOR
 - POSITION WHEN DELIVERED
 - TIGHTEN THE JOINT IN THIS DIRECTION
- TORQUE FOR CONNECTION
- 25Nm MAX
 - 18Nm MAX
 - 5_0^+Nm
 - 15 TO 20 Nm

General Specifications: ISO 8015, JED-334-1, Size ISO 14405 LP		Copyright ZF*	
Further Technical Data: PRO 411 034 0		Date	Signature
Doc. Code: 035	Sheet: 1 To 13	2023-11-07	Kariya
General Tolerances JED-261		Checked	
Range of Nominal Dimensions (± mm)		2023-11-07	
Class	1) ≤ 50	2) > 50 & ≤ 180	3) > 180 & ≤ 400
Fine	±0.5	±1	±1.5
Medium	±1	±2	±3
Coarse	±2	±3.5	±5
Tapped Holes acc. -		±3°	
1) Tolerance Class Applied Crossmarked		Revision	
A 1 CREO		5630_AM	
Mass		Scale	
3.2 kg		NTS	
Size		CAD System	
A 1		5630_AM	
Material No.		Date of first issue	
PRO 411 034 0		2023-11-07	
Ech.No.		Tech. Resp.	
-		-	
Revision		Replacement for	
-		-	

Tutti i diritti sono riservati. È vietata espressamente la ristampa o l'uso non autorizzato senza permesso scritto dalla ZF. È vietata espressamente la ristampa o l'uso non autorizzato senza permesso scritto dalla ZF. È vietata espressamente la ristampa o l'uso non autorizzato senza permesso scritto dalla ZF. È vietata espressamente la ristampa o l'uso non autorizzato senza permesso scritto dalla ZF. È vietata espressamente la ristampa o l'uso non autorizzato senza permesso scritto dalla ZF.