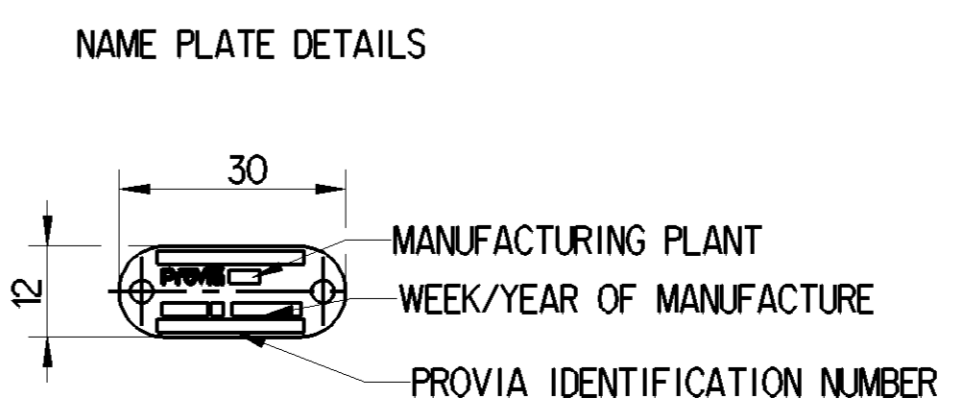
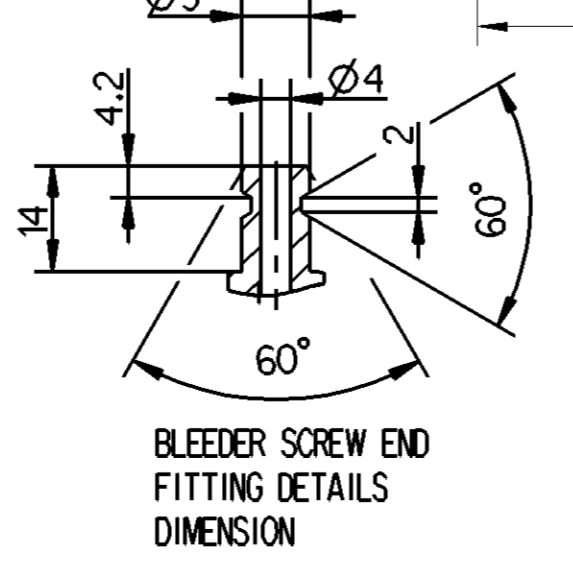
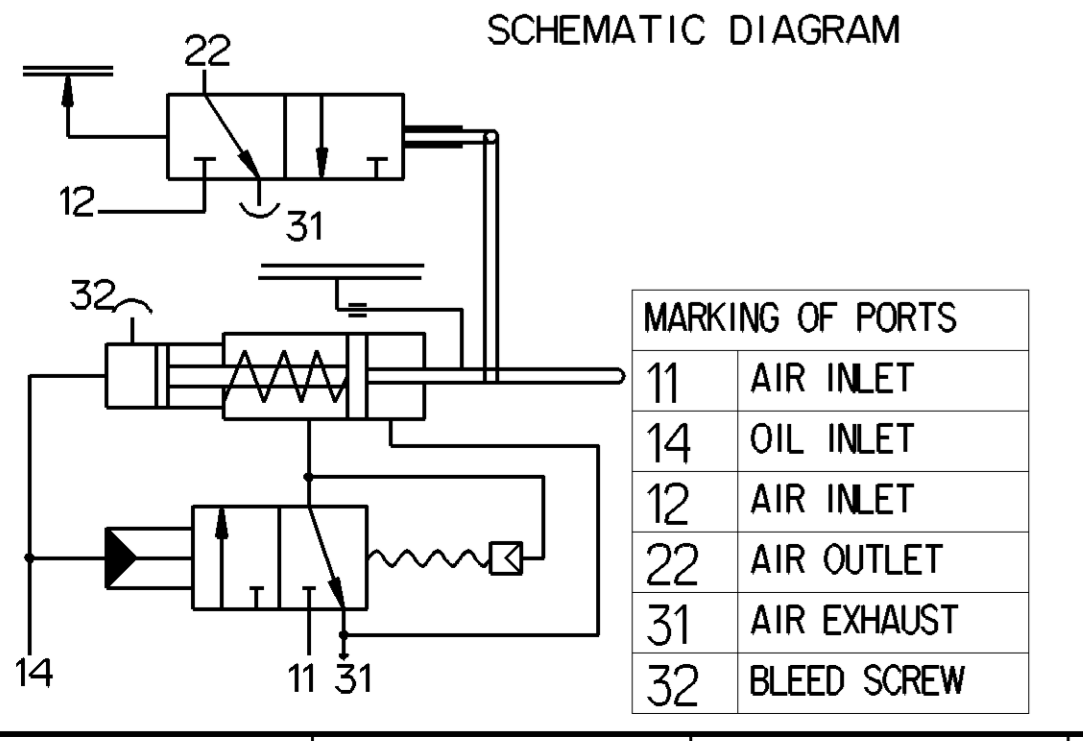
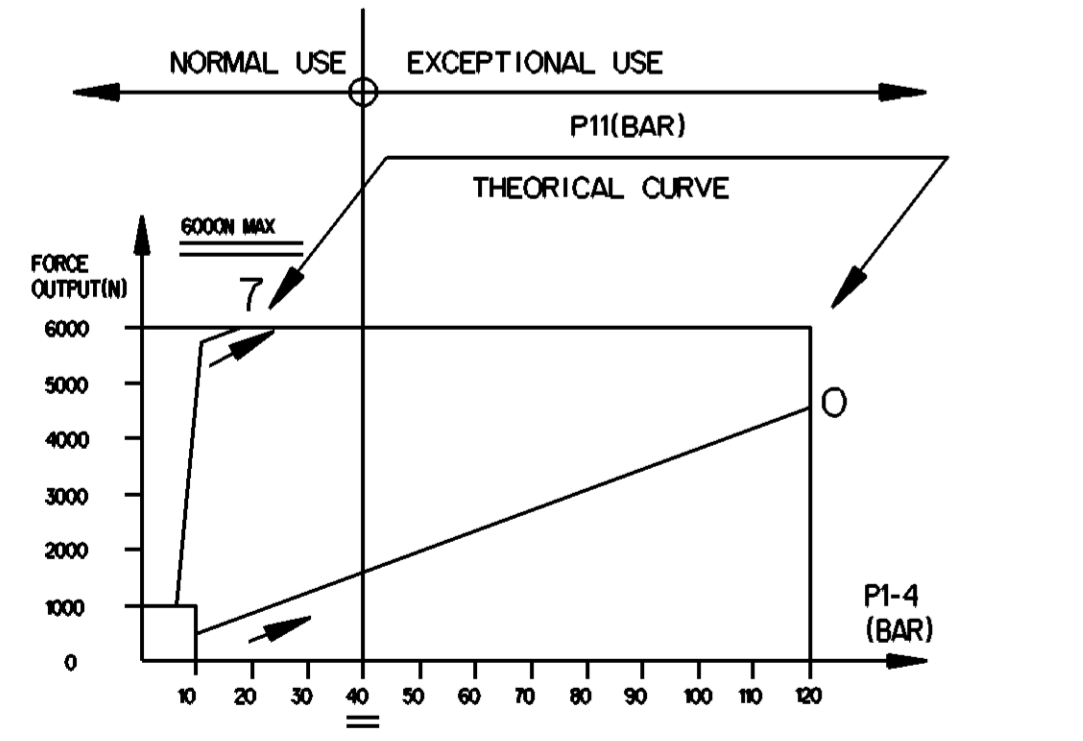
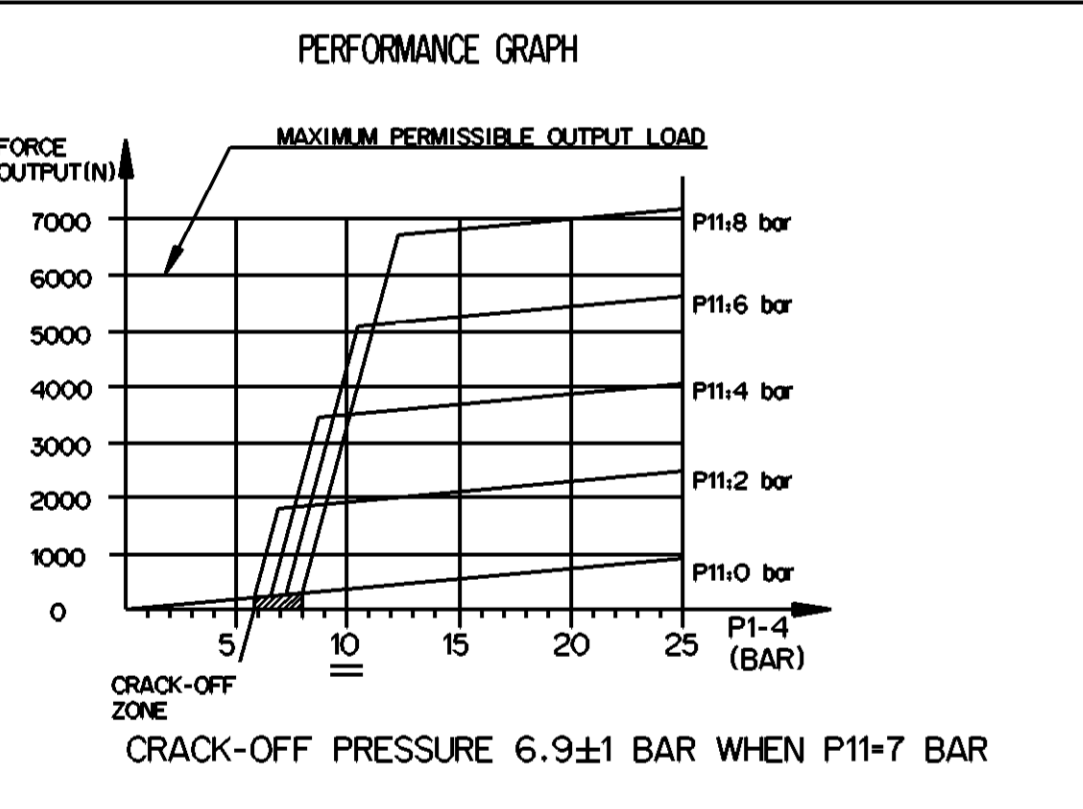
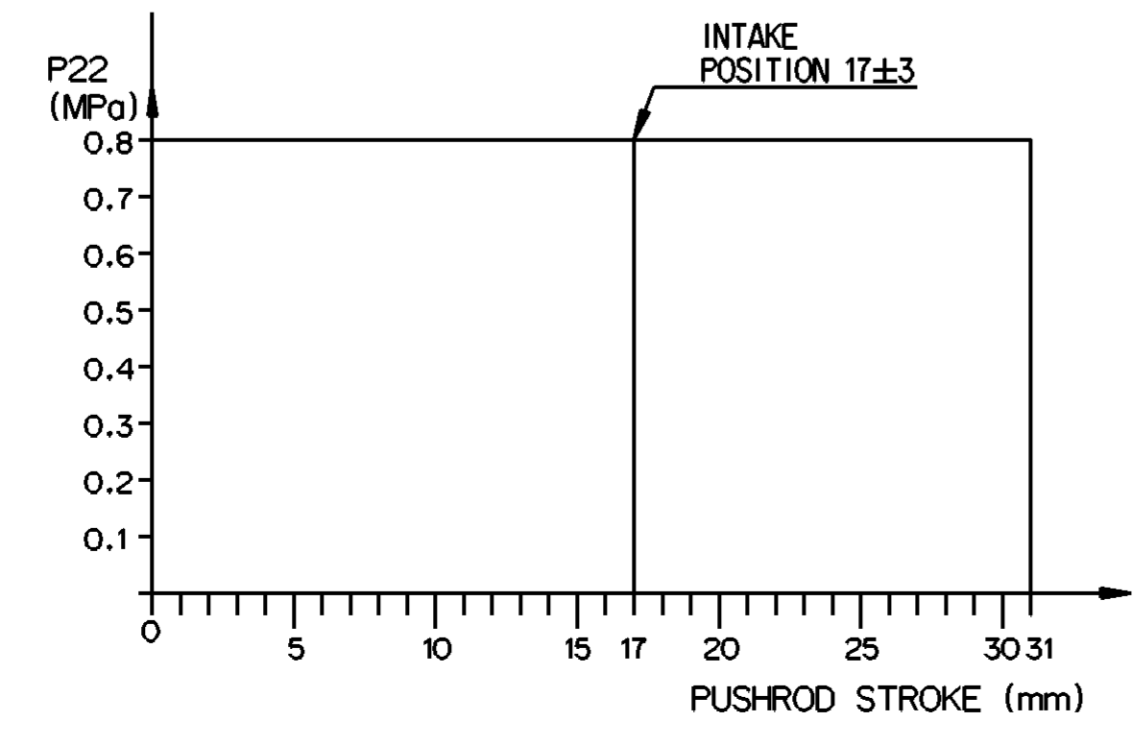
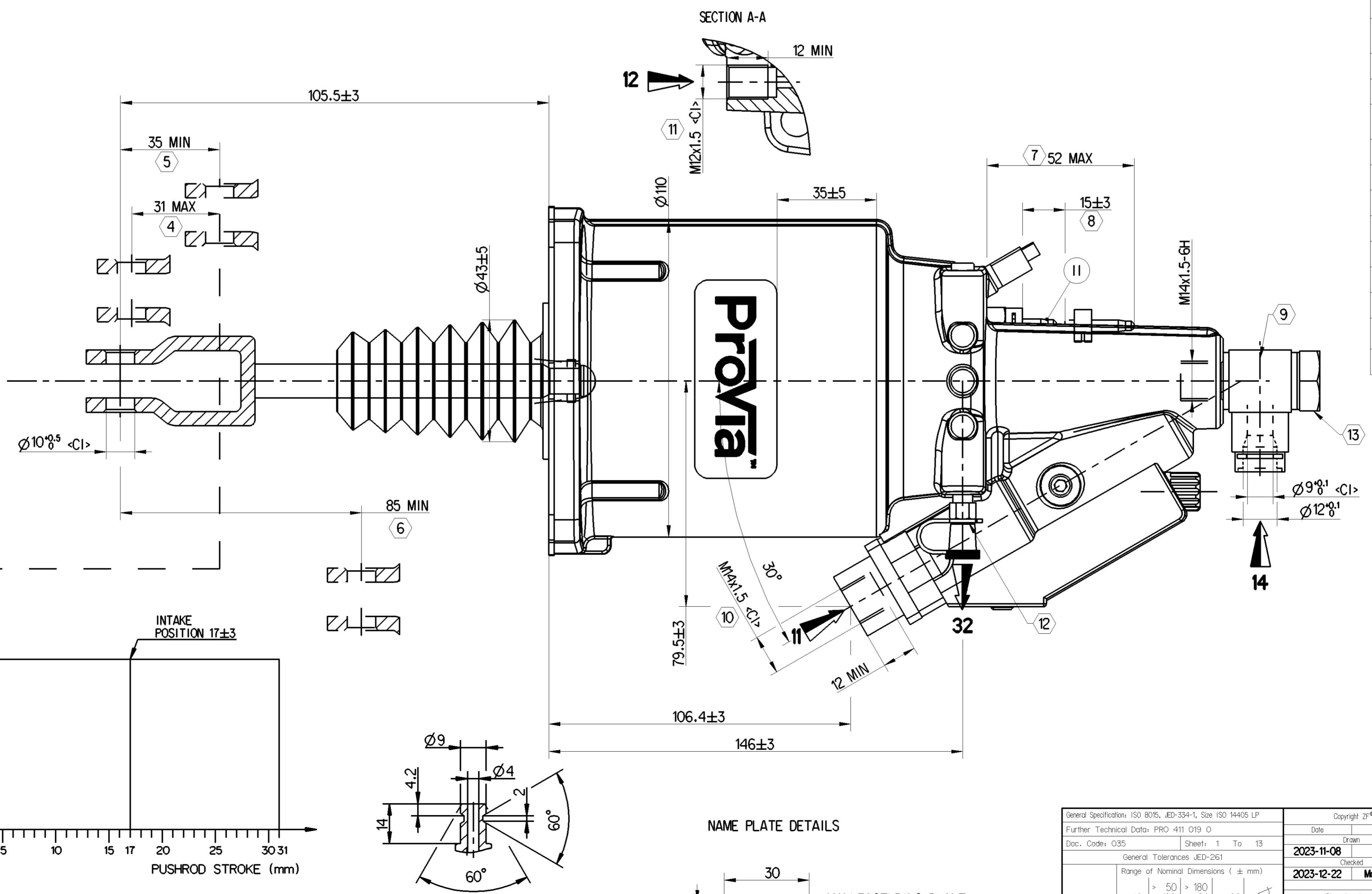
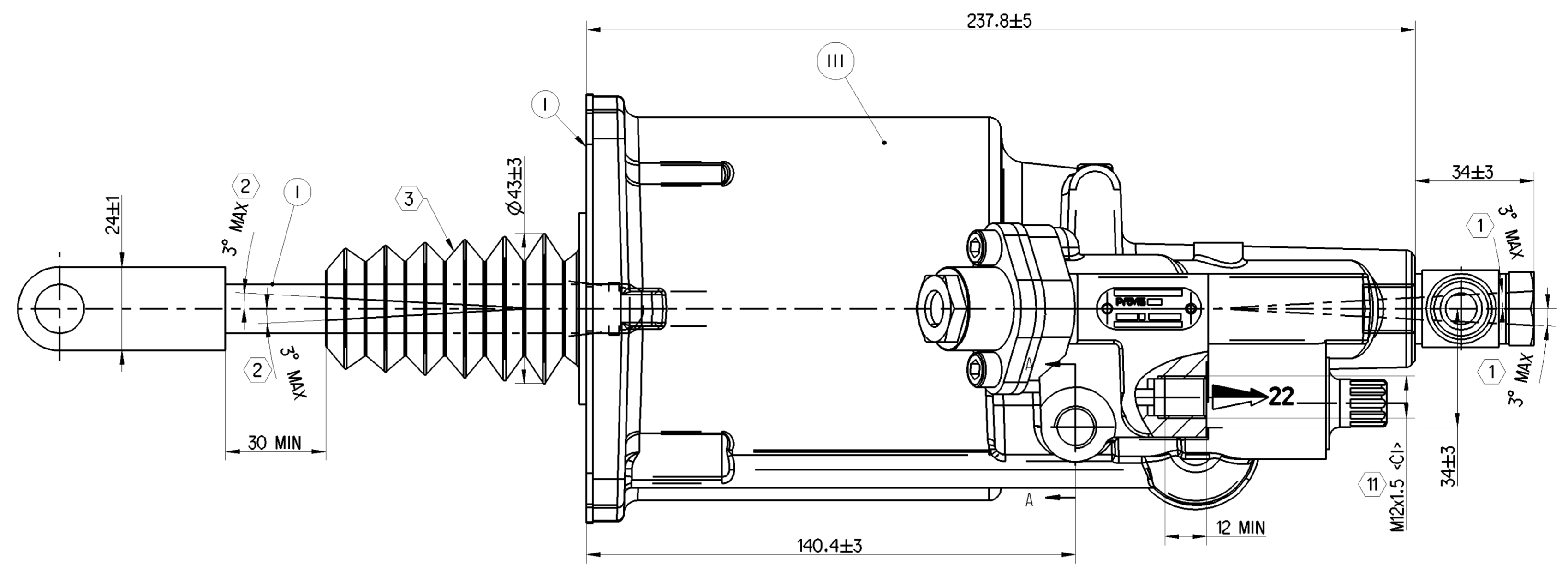
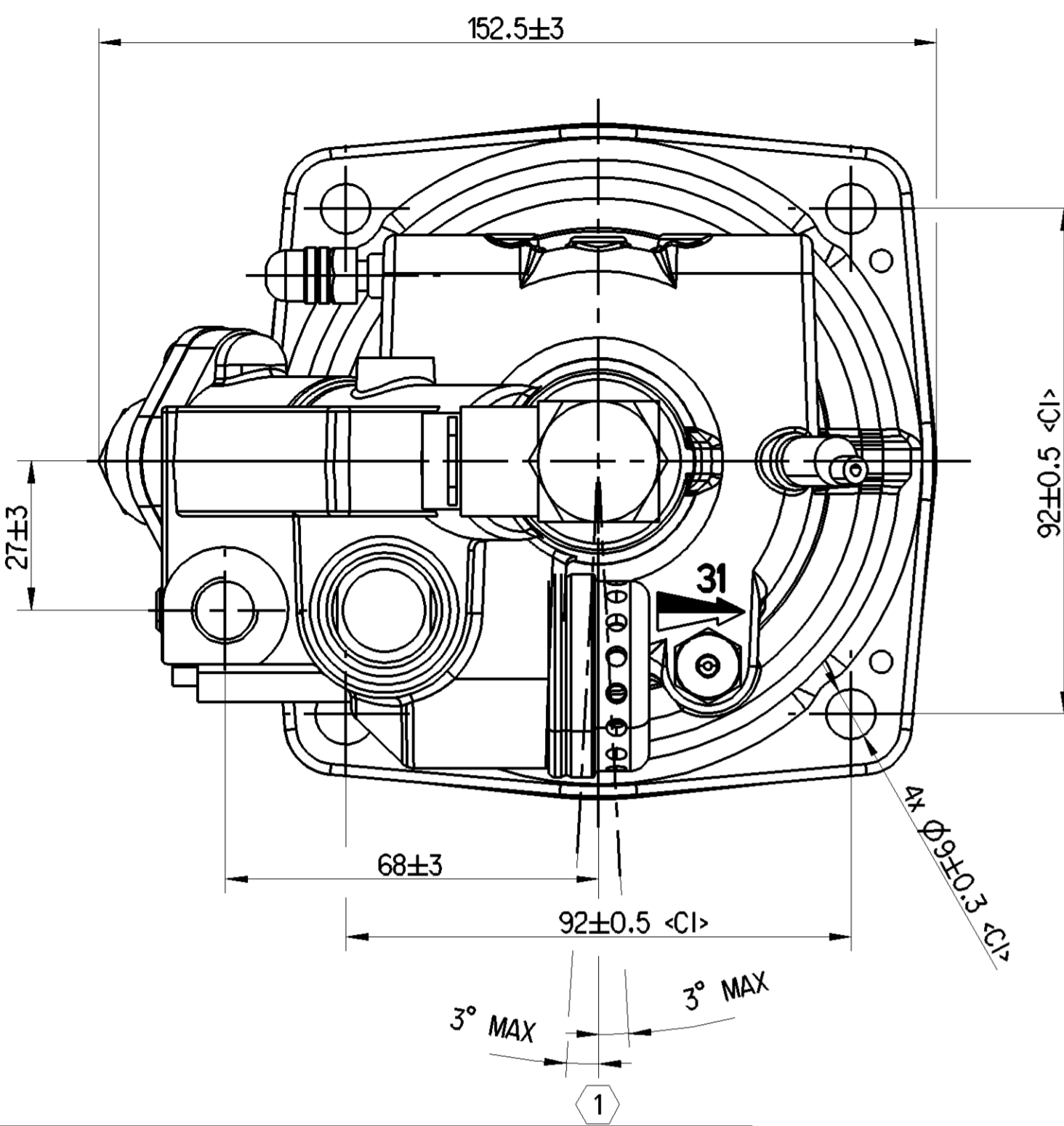


III	ALUMINIUM ALLOY	HARD ANODIZING
II	STEEL	SALT BATH (BLACK)
I	STEEL	GALVANIZED (WHITE)
POS	MATERIAL	SURFACE PROTECTION

<I>	SAFETY CHARACTERISTICS	0
<2>	SIGNIFICANT CHARACTERISTICS	0
<CI>	CUSTOMER INTERFACE	8

- TECHNICAL INFORMATION
- HYDRAULIC TANK DIA : $\varnothing 22\text{mm}$
 - AIR TANK DIA : $\varnothing 102\text{mm}$
 - HYDRAULIC WORKING PRESSURE 4MPa
 - HYDRAULIC WORKING PRESSURE MAX 12MPa
 - AIR WORKING PRESSURE MAX 1MPa
 - WORKING TEMPERATURE : -40°C TO $+80^{\circ}\text{C}$
 - MEDIUM
HYDRAULIC MEDIUM : DOT 4 BASED BRAKE FLUID IN ACCORDANCE WITH SAE J 1703
PNEUMATIC MEDIUM : AIR
 - OIL VOLUME INPUT : $V=(SH \times C) \times K$
K : ABSORPTION AT 120 BAR FOR C=0, $K < 1.5\text{cm}^3$
SH : HYDRAULIC SECTIONAL AREA = 3.8cm^2
C : GEAR DISENGAGING STROKE
 - OPEN PORTS ARE FITTED WITH CLOSURE PLUG FOR STORAGE AND TRANSMIT PURPOSE
 - CAUTION : DO NOT ACTUATE THE DEVICE IF NOT FITTED ON ITS MOUNTING BRACKET
 - WITH STROKE WEAR INDICATOR
 - DO NOT OPERATE THIS PRODUCT WITHOUT INSTALLATION OR FIXATION ON THE BRACKET

- NOTES
- DEVICE EXTREME POSITION WHEN BLEEDING
 - MISALIGNMENT OF PUSHROD IN ANY DIRECTION
 - BOOT THERMAL RANGE -40°C TO $+130^{\circ}\text{C}$
 - GEAR DISENGAGING STROKE
 - POSITION TO NOTE (CLUTCH IN NEW CONDITION)
 - STROKE
 - ADJUSTMENT OF WEAR INDICATOR
 - POSITION WHEN DELIVERED
 - TIGHTEN THE JOINT IN THIS DIRECTION
- TORQUE FOR CONNECTION
- 25Nm MAX
 - 18Nm MAX
 - 5_0^{+5} Nm
 - 15 TO 20 Nm



General Specifications: ISO 8015, JED-334-1, Size ISO H4405 LP		Copyright ZF*	
Further Technical Data: PRO 411 019 0		Date	Signature
Doc. Code: 035	Sheet: 1 To 13	2023-11-08	Kariya
General Tolerances JED-261		Checked: Manivannan	
Range of Nominal Dimensions (± mm)			
Class	1	≤ 50	> 50 < 180
Fine		±0.5	±1 ±1.5 ±2
Medium	X	±1 ±2 ±3 ±4 ±5	±3°
Coarse		±2 ±3.5 ±5 ±6.5	
Tapped Holes acc.:		-	
1) Tolerance Class Applied Crossmarked			
Mass		Scale	
3.2 kg		NTS	
Size		CAD System	
A 1		CREO	
Material No.		Date of first issue: 2023-12-22	
PRO 411 035 0		005 EN 1/1	
Ech.No.		Revision	
-		5630_AM	
Techn. Resp.		Replacement for	
-		-	

Non è permesso copiare o riprodurre questo documento, né utilizzare il contenuto in modo commerciale (art. 1702).
 È vietata espressamente la ristampa o l'uso non autorizzato di questo documento. È vietata espressamente la ristampa o l'uso non autorizzato di questo documento.
 Toute réimpression ou utilisation non autorisée sans la permission écrite de la société ZF est formellement interdite.
 Toute réimpression ou utilisation non autorisée sans la permission écrite de la société ZF est formellement interdite.
 This document is the property of ZF. It is not to be distributed outside the company.
 This document is the property of ZF. It is not to be distributed outside the company.
 This document is the property of ZF. It is not to be distributed outside the company.