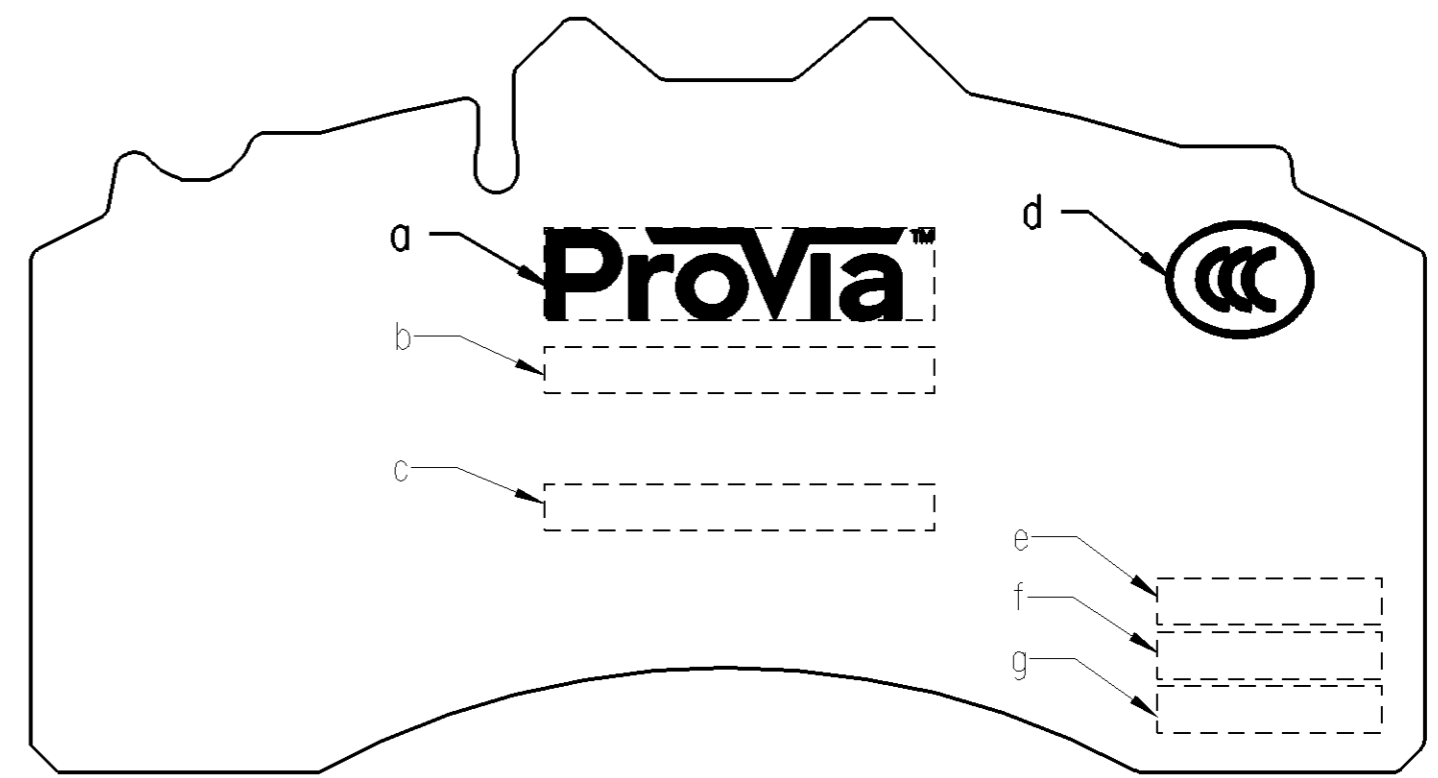
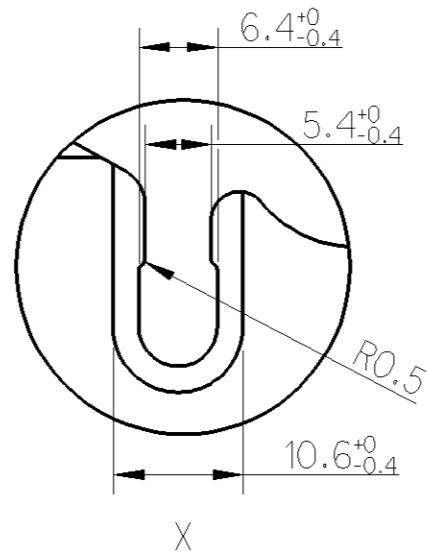
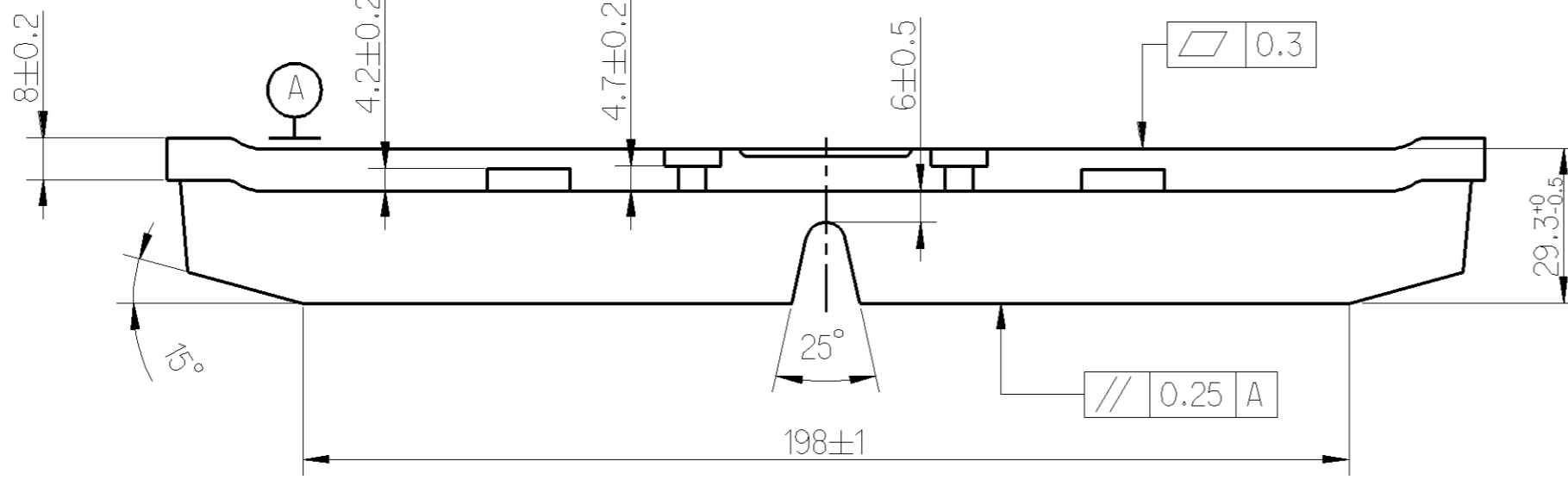
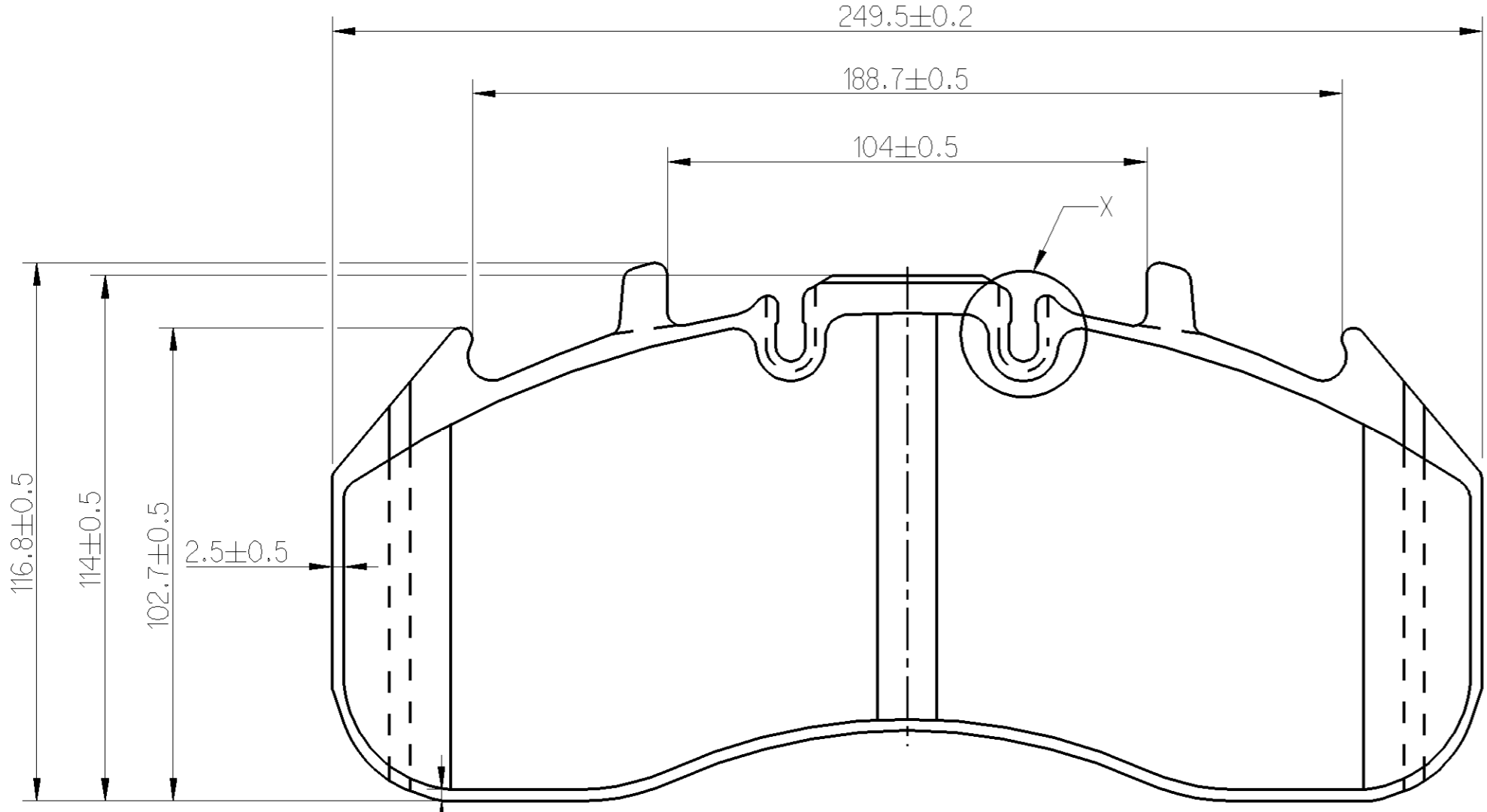


<1> SAFETY CHARACTERISTICS	0
<2> SIGNIFICANT CHARACTERISTICS	0
<C1> CUSTOMER INTERFACE	0



MARKING ON BACKING PLATE - DRAFT ONLY FOR EXPLANATION OF THE TEXT AREAS. BACKING PLATE CONTOUR, SIZE AND ALIGNMENT OF AREAS MAY DIFFER FROM THE REAL PART.

IDENTIFICATION	DESIGNATION	CONTENT	TYPE OF MARKING
a	PROVIA LOGO	(acc. JED-868)	PRINTED
b	PROVIA PART NUMBER	PRO 721 106 2	PRINTED
c	COUNTRY OF ORIGIN	MADE IN CHINA	PRINTED
d	CCC MARK	(acc. to template)	PRINTED
e	SUPPLIER CODE	238799	PRINTED
f	SUPPLIER PART NUMBER	3U-0210	PRINTED
g	DATE OF MANUFACTURE	(week + year)	PRINTED

TECHNICAL CONDITIONS OF DELIVERY JED-622  
 CONDITIONS OF DELIVERY FOR FRICTION LININGS JED-782  
 PEOPLE REPUBLIC OF CHINA NATIONAL STANDARD GB 5763-2018

SURFACE PROTECTION OF BACKING PLATE:  
 POWDER COATING, COLOR BLACK, THICKNESS 0.07±0.02 mm

PACKAGE CONTENT:  
 4x BRAKE PAD  
 4x LEAF SPRING (NOT SHOWN ON THE DRAWING)

WVA NUMBER: 29187

Non e permesso copiare, o terzi o riprodurre questo documento, ne utilizzare il contenuto o renderlo comunque noto o terzi senza autorizzazione esplicita. Ogni infrazione costituisce un evidente abuso e comporterà il risarcimento dei danni subiti. E' fatta riserva di tutti i diritti derivanti da brevetti o modelli.  
 Copying of this document and giving it to others and the use or communication of the contents thereof, are forbidden without express authority. Contravention of this restriction will constitute an evident abuse and result in a liability to the payment of damages. All rights are reserved in the event of the grant of patent or registration of a utility model or design. This document is the subject of copyright.  
 Toute communication ou reproduction de ce document, toute exploitation ou communication de son contenu sont interdites, sauf autorisation expresse. Tout manquement a cette regle constitue un abus evident et expose son auteur au versement de dommages et interets. Tous droits de propriete industrielle reserves, notamment en matiere de brevets et de modesles.  
 Weitergabe sowie Vervielfaltigung dieser Unterlagen, Verwertung und Mitteilung ihres Inhalts nicht gestattet, soweit nicht ausdrücklich ansonsten, Zuerkennung, sind ein offensichtliches Missbrauch der und verpflichten zu Schadensersatz. Alle Rechte fuer den Fall der Patenterteilung oder Gebrauchsmuster-Eintragung vorbehalten.

General Specification: ISO 8015, JED-334-1, Size ISO 14405 LP		Copyright ZF®		<b>ProVia</b>	
Further Technical Data: PRO7211062		Date	Signature		
Doc. Code: 014	Sheet: 01 To 02	2023-02-08	Kishore	BRAKE PAD	
General Tolerances JED-261		Checked	Manivannan		
Range of Nominal Dimensions ( ± mm)		Dimensions in mm		Material No.	
Class 1)	≤ 50	> 50 ≤ 180	> 180 ≤ 400	> 400	±3°
Fine	±0.5	±1	±1.5	±2	±3°
Medium	±1	±2	±3	±4	
Coarse	±2	±3.5	±5	±6.5	
Tapped Holes acc.		Mass	Scale	Date of first issue: 2023-02-14	
1) Tolerance Class Applied Crossmarked		kg	NTS	Doc.Code Language Sheet	
		A 2	CREO	PRO 721 106 2	
		ECN-No.		Revision	Techn. Resp.
		-		-	6921.LAM
		Replacement for		-	