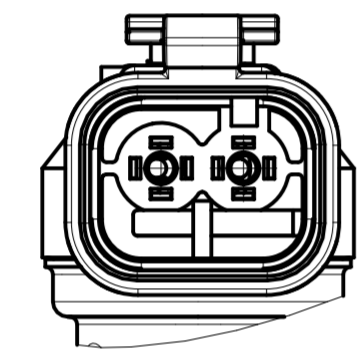
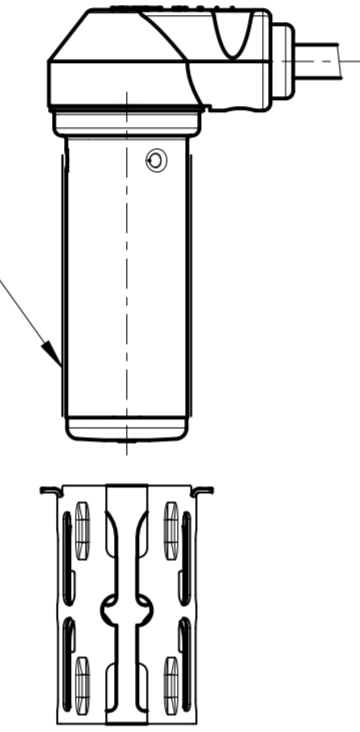


CODING A
 GHW -NR. 18169 000 002
 COLOUR: GRAY



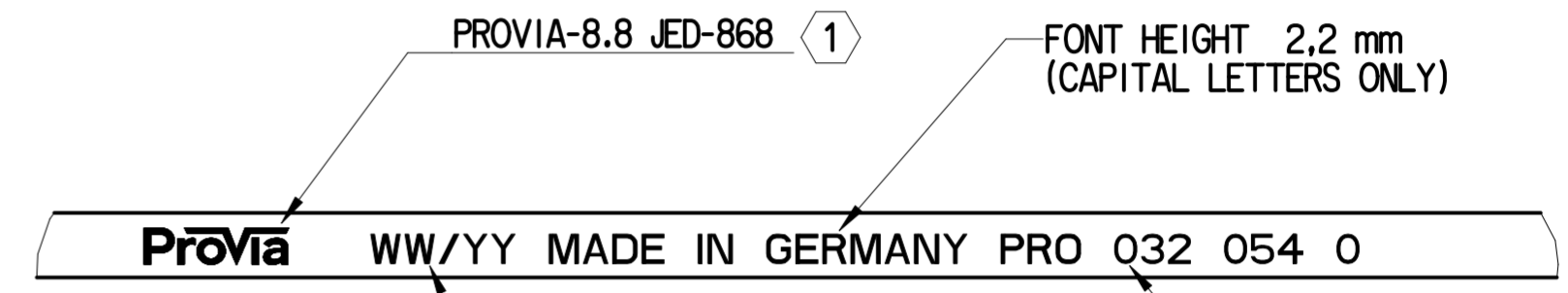
B
2:1

AREA TO BE GREASED



BEFORE ASSEMBLY VIEW

ASSEMBLY VIEW (IN VEHICLE)



A
2:1

THERMAL RANGE OF APPLICATION

- I -40°C...+200°C
+210°C[1h]
- II -40 °C...+150°C
+180°C[1h]
- III -40°C...+150°C
- IV -40°C...+130°C
- V -40°C...+140°C
- VI -55°C...+125°C
- VII -40°C...+100°C

- 1 ABRASION-RESISTANT LASER PRINTING. TEXT VISIBLE AGAINST THE BACKGROUND.
- 2 DEGREE OF PROTECTION (SENSOR HEAD) 6K9K
- 3 MINIMUM CABLE BEND RADIUS R 15

Additional equipment		
Name	Number	QTY
Clamping bush	-	1
Grease	PRO 503 062 4	1

General Specification: ISO 8015, JED-334-1, Size ISO 14405 LP		Copyright ZF®		ProVia Inductive Sensor (ABS)	
Further Technical Data: Product Specification		Date	Signature		
Doc. Code: 035	Sheet: 1 To 7	2024-03-26	Blazejak	Material No. PRO 032 054 0	
General Tolerances JED-261		Checked	Pawlowski		
Range of Nominal Dimensions (± mm)		Dimensions in mm		Date of first issue: 2024-03-26	
Class 1)	≤ 50	> 50 ≤ 180	> 180 ≤ 400	> 400	Doc.Code
Fine	±0.5	±1	±1.5	±2	Language
Medium	±1	±2	±3	±4	Sheet
Coarse	X ±2	±3.5	±5	±6.5	005
Tapped Holes acc.		±3°		EN 1/1	
1) Tolerance Class Applied Crossmarked		Mass	Scale	Replacement for	
		0.198 kg	1:1 (2:1)	ECN-No.	Revision
		Size	CAD System	-	-
		A 2	CREO	Techn. Resp.	6310_AM

Non e permesso copiare, o terzi o riprodurre questo documento, ne utilizzare il contenuto o renderlo comunque noto o terzi senza autorizzazione esplicita. Ogni infrazione costituisce un abuso evidente ed eccesso sui autori e versamenti di damages e interessi. E' fatta riserva di tutti i diritti derivanti da brevetti o modelli.
 Copring of this document and giving it to others and the use or communication of the contents hereof, are forbidden without express authority. Contention of this restriction will constitute an evident abuse and result in a liability to the payment of damages. All rights are reserved in the event of the grant of patent or registration of a utility model or design. This document is the subject of copyright.
 Toute communication ou reproduction de ce document, toute exploitation ou communication de son contenu sont interdites, sauf autorisation expresse. Tout manquement a cette regle constitue un abus evident et excess sur auteurs et versements de dommages et interests. Tous droits de proprieete industrielle reserves, notamment en matiere de brevets et de modeles.
 Weitergabe sowie Vervielfaltigung dieser Unterlagen, Verwertung und Mitteilung ihres Inhalts nicht gestattet, soweit nicht ausdrücklich zugestanden. Zuwiderhandlungen stellen einen offensichtlichen Missbrauch dar und verpflichten zu Schadensersatz. Alle Rechte fuer den Fall der Patentierung oder Gebrauchsmuster-Eintragung vorbehalten.