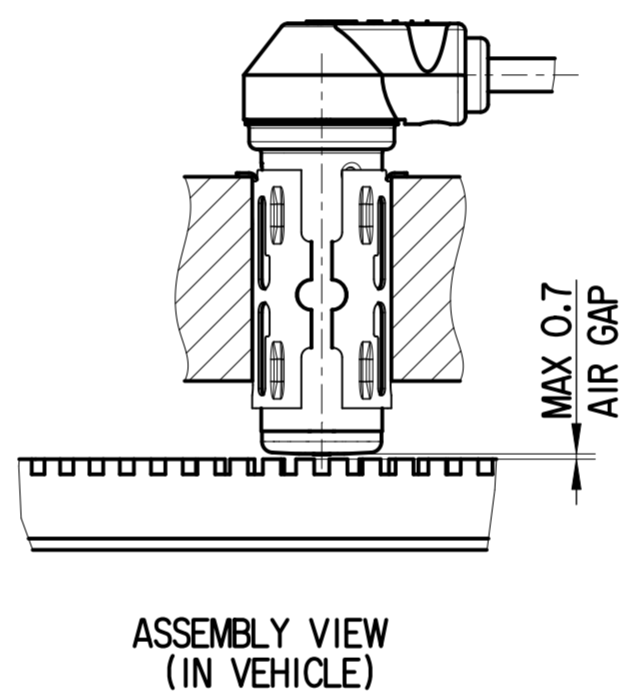
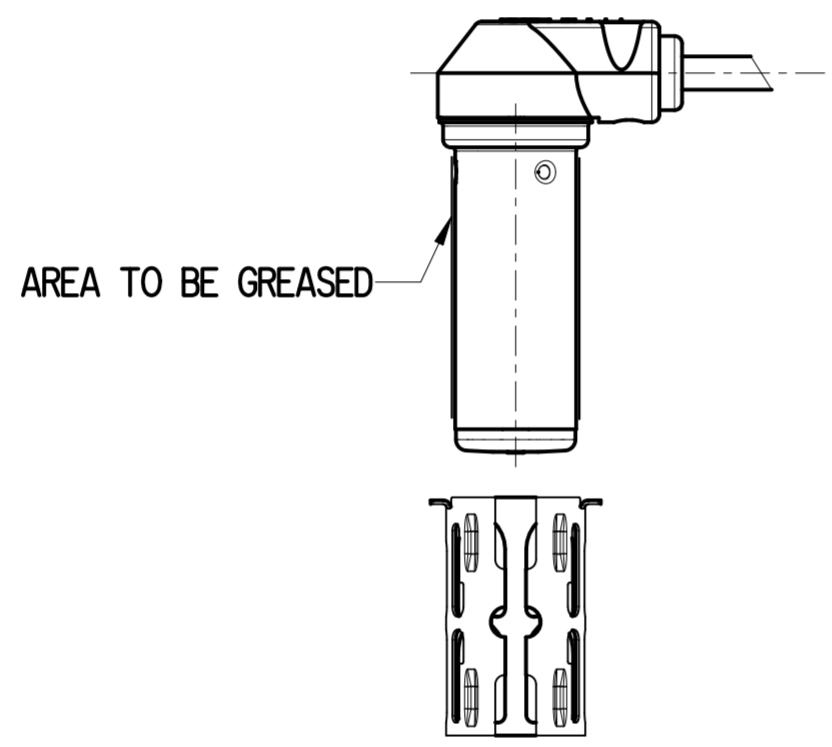
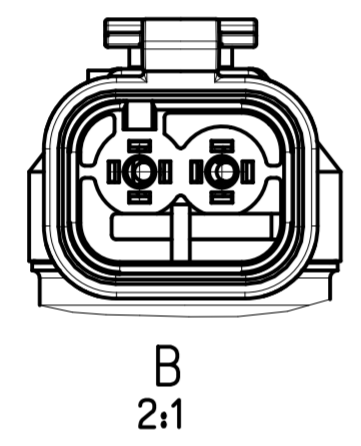


PROVIA-8.8 JED-868 ¹ FONT HEIGHT 2.2 mm (CAPITAL LETTERS ONLY) ¹

ProVia WW/YY MADE IN GERMANY PRO 032 055 0

IN FORMAT WW/YY ACCORDING TO JED-226 ¹ PART NO ¹

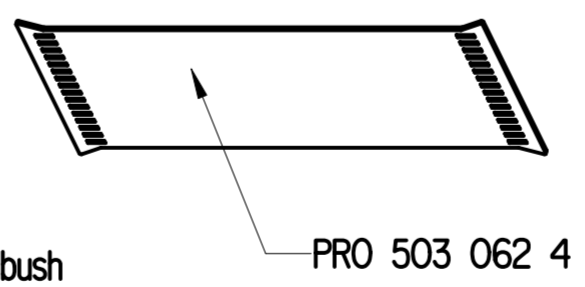
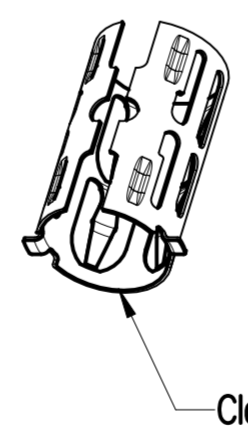
CODING B
GHW -NR. 18170 000 002
COLOUR: BLACK



A
2:1

THERMAL RANGE OF APPLICATION

I	-40°C...+200°C +210°C[1h]
II	-40°C...+150°C +180°C[1h]
III	-40°C...+150°C
IV	-40°C...+130°C
V	-40°C...+140°C
VI	-55°C...+125°C
VII	-40°C...+100°C



- ¹ ABRASION-RESISTANT LASER PRINTING. TEXT VISIBLE AGAINST THE BACKGROUND.
- ² DEGREE OF PROTECTION (SENSOR HEAD) 6K9K
- ³ MINIMUM CABLE BEND RADIUS R 15

Additional equipment		
Name	Number	QTY
Clamping bush	-	1
Grease	PRO 503 062 4	1

General Specification: ISO 8015, JED-334-1, Size ISO 14405 LP		Copyright ZF®		ProVia	
Further Technical Data: Product Specification		Date	Signature		
Doc. Code: 035	Sheet: 1 To 7	2024-03-26	Blazejk	Inductive Sensor (ABS)	
General Tolerances JED-261		Checked	Pawlowski		
Range of Nominal Dimensions (± mm)		Dimensions in mm		Material No.	
Class 1)	≤ 50	> 50 ≤ 180	> 180 ≤ 400	> 400	±3°
Fine	±0.5	±1	±1.5	±2	±3°
Medium	±1	±2	±3	±4	
Coarse	±2	±3.5	±5	±6.5	
Tapped Holes acc.		Mass		Date of first issue: 2024-03-27	
1) Tolerance Class Applied Crossmarked		Scale		Doc.Code Language Sheet	
		0.198 kg		005 EN 1/1	
		1:1 (2:1)		PRO 032 055 0	
		Size CAD System		ECN-No. Revision Techn. Resp. Replacement for	
		A 2 CREO		- - 6310_AM	

Non e permesso copiare, o terzi o riprodurre questo documento, ne utilizzare il contenuto o renderlo comunque noto o terzi senza autorizzazione esplicita. Ogni infrazione costituisce un evidente abuso e comportera il risarcimento dei danni subiti. E' fatta riserva di tutti i diritti derivanti da brevetti o modelli.

Copying of this document and giving it to others and the use or communication of the contents hereof, are forbidden without express authority. Contention of this restriction will constitute an evident abuse and result in a liability to the payment of damages. All rights are reserved in the event of the grant of patent or registration of a utility model or design. This document is the subject of copyright.

Toute communication ou reproduction de ce document, toute exploitation ou communication de son contenu sont interdites, sauf autorisation expresse. Tout manquement a cette regle constitue un abus evident et expose son auteur au versement de dommages et interets. Tous droits de propriete industrielle reserves, notamment en matiere de brevets et de modesles.

Weitergabe sowie Vervielfaltigung dieser Unterlagen, Verwertung und Mitteilung ihres Inhalts nicht gestattet, soweit nicht ausdrücklich zugestimmt. Zuwiderhandlungen stellen einen offensichtlichen Missbrauch dar und verpflichten zu Schadensersatz. Alle Rechte fuer den Fall der Patentierung oder Gebrauchsmuster-Eintragung vorbehalten.