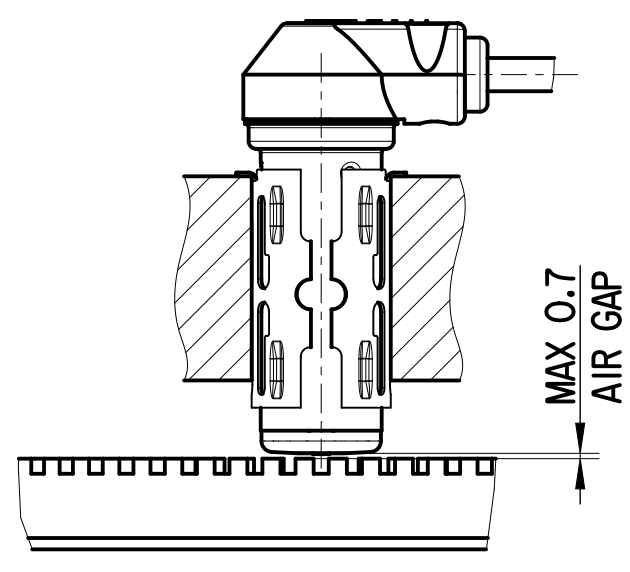
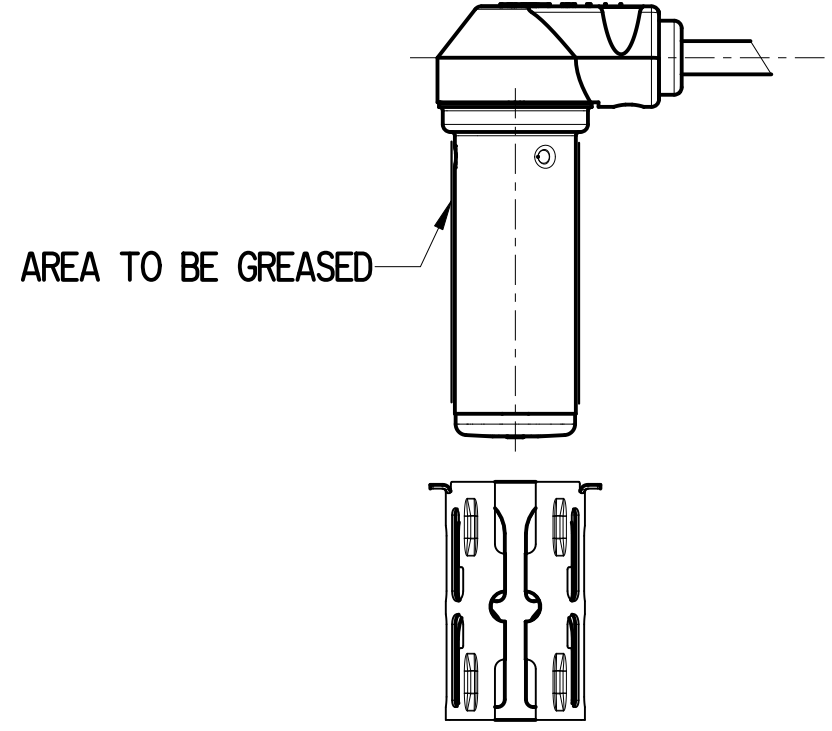
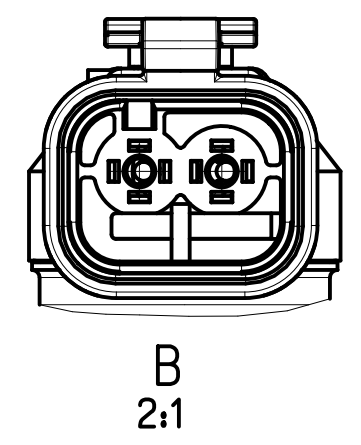


**CODING B**  
 GHW -NR. 18170 000 002  
 COLOUR: BLACK

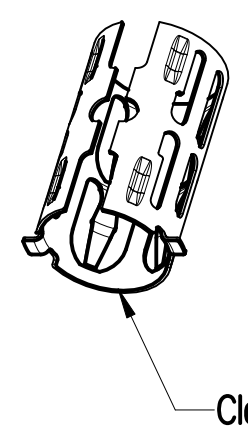


PROVIA-8.8 JED-868 ①  
 FONT HEIGHT 2.2 mm (CAPITAL LETTERS ONLY) ①  
**ProVia** WW/YY MADE IN GERMANY PRO 032 060 0  
 IN FORMAT WW/YY ACCORDING TO JED-226 ①  
 PART NO ①

A  
2:1

**THERMAL RANGE OF APPLICATION**

- I -40°C...+200°C  
+210°C[1h]
- II -40°C...+150°C  
+180°C[1h]
- III -40°C...+150°C
- IV -40°C...+130°C
- V -40°C...+140°C
- VI -55°C...+125°C
- VII -40°C...+100°C



Clamping bush PRO 503 062 4

Additional equipment		
Name	Number	QTY
Clamping bush	-	1
Grease	PRO 503 062 4	1

- ① ABRASION-RESISTANT LASER PRINTING. TEXT VISIBLE AGAINST THE BACKGROUND.
- ② DEGREE OF PROTECTION (SENSOR HEAD) 6K9K
- ③ MINIMUM CABLE BEND RADIUS R 15

General Specification: ISO 8015, JED-334-1, Size ISO 14405 LP		Copyright ZF®		<b>ProVia</b> Inductive Sensor (ABS)	
Further Technical Data: Product Specification		Date	Signature		
Doc. Code: 035	Sheet: 1 To 7	2024-03-27	Blazejk	Material No. <b>PRO 032 060 0</b>	
General Tolerances JED-261		Checked	Pawlowski		
Range of Nominal Dimensions ( ± mm)		Dimensions in mm		Date of first issue: 2024-03-27	
Class 1)	≤ 50 > 50 ≤ 180 > 180 ≤ 400 > 400	Mass	Scale	Doc. Code Language Sheet	
Fine	±0.5 ±1 ±1.5 ±2	0.127 kg	1:1 (2:1)	005	EN 1/1
Medium	±1 ±2 ±3 ±4	Size	CAD System	Replacement for	
Coarse	±2 ±3.5 ±5 ±6.5	A 2	CREO	ECN-No.	Revision Techn. Resp.
Tapped Holes acc.		1) Tolerance Class Applied Crossmarked		-	- 6310_AM

Non e permesso copiare, o terzi o riprodurre questo documento, ne utilizzare il contenuto o renderlo comunque noto o terzi senza autorizzazione esplicita. Ogni infrazione costituisce un evidente abuso e comportera il risarcimento dei danni subiti. E' fatta riserva di tutti i diritti derivanti da brevetti o modelli.  
 Copying of this document and giving it to others and the use or communication of the contents hereof, are forbidden without express authority. Contention of this restriction will constitute an evident abuse and result in a liability to the payment of damages. All rights are reserved in the event of the grant of patent or registration of a utility model or design. This document is the subject of copyright.  
 Weitergabe sowie Vervielfältigung dieses Dokuments, Verleihen und Mitteilen ihres Inhalts nicht gestattet, soweit nicht ausdrücklich zugestimmt. Zuwiderhandlungen stellen einen offensichtlichen Missbrauch dar und verpflichten zu Schadensersatz. Alle Rechte für den Fall der Patenterteilung oder Gebrauchsmuster-Eintragung vorbehalten.