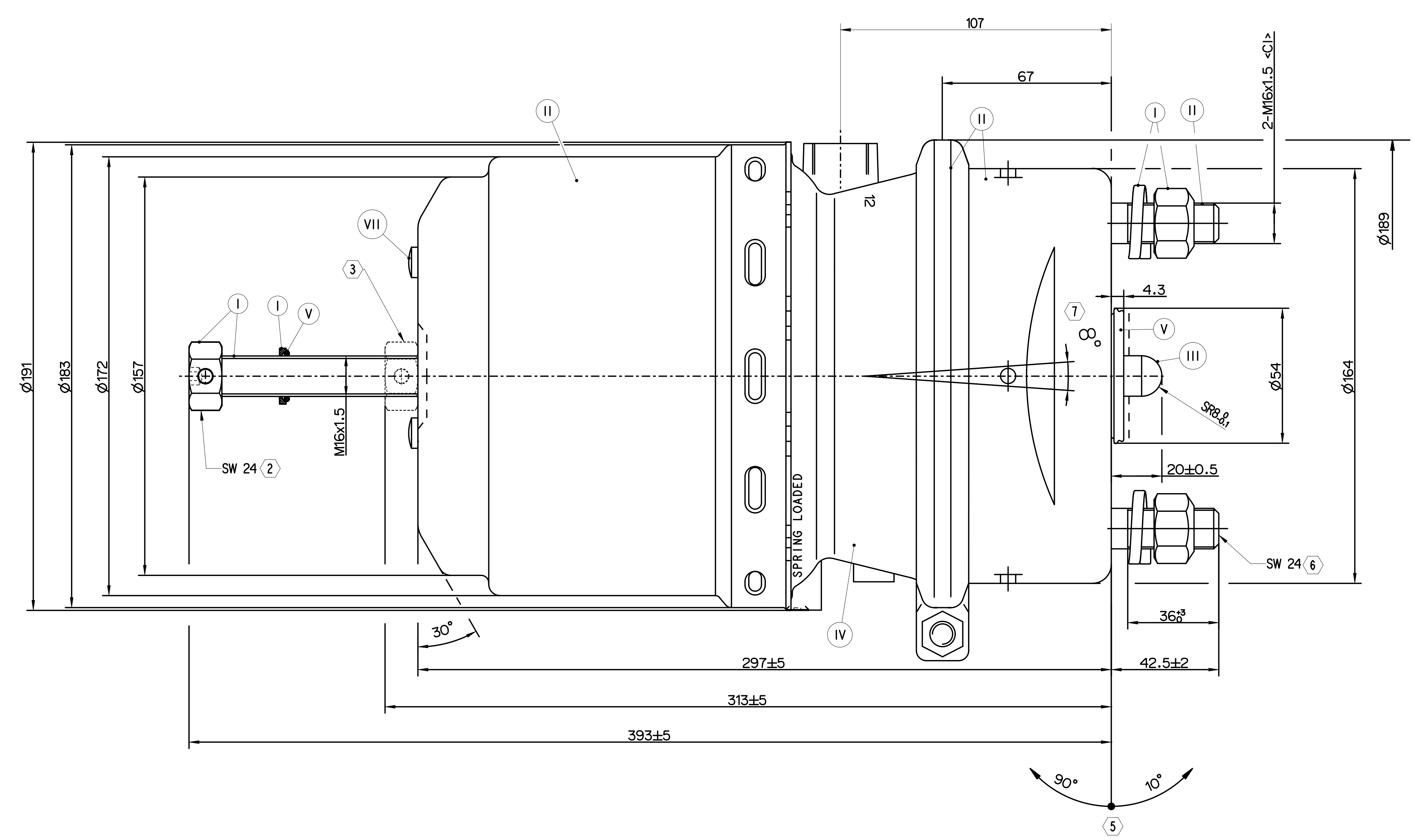
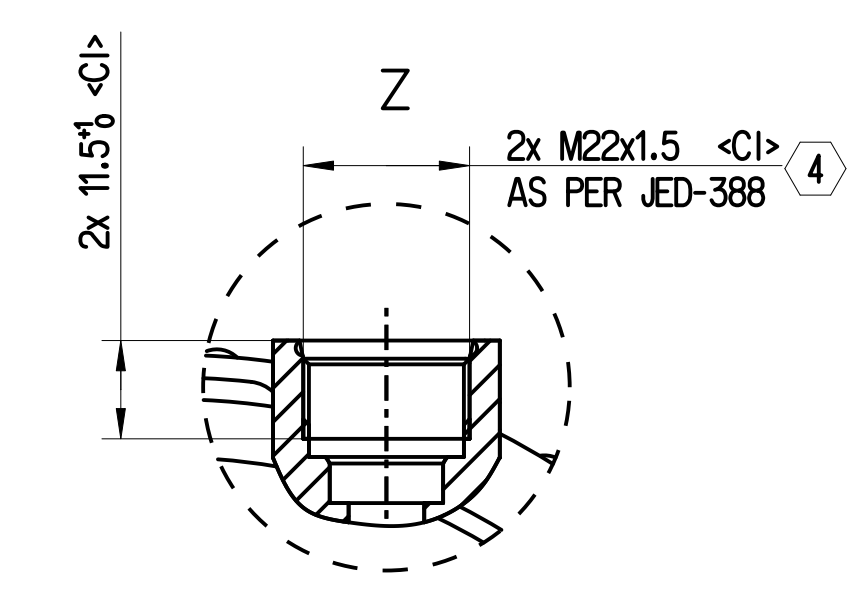
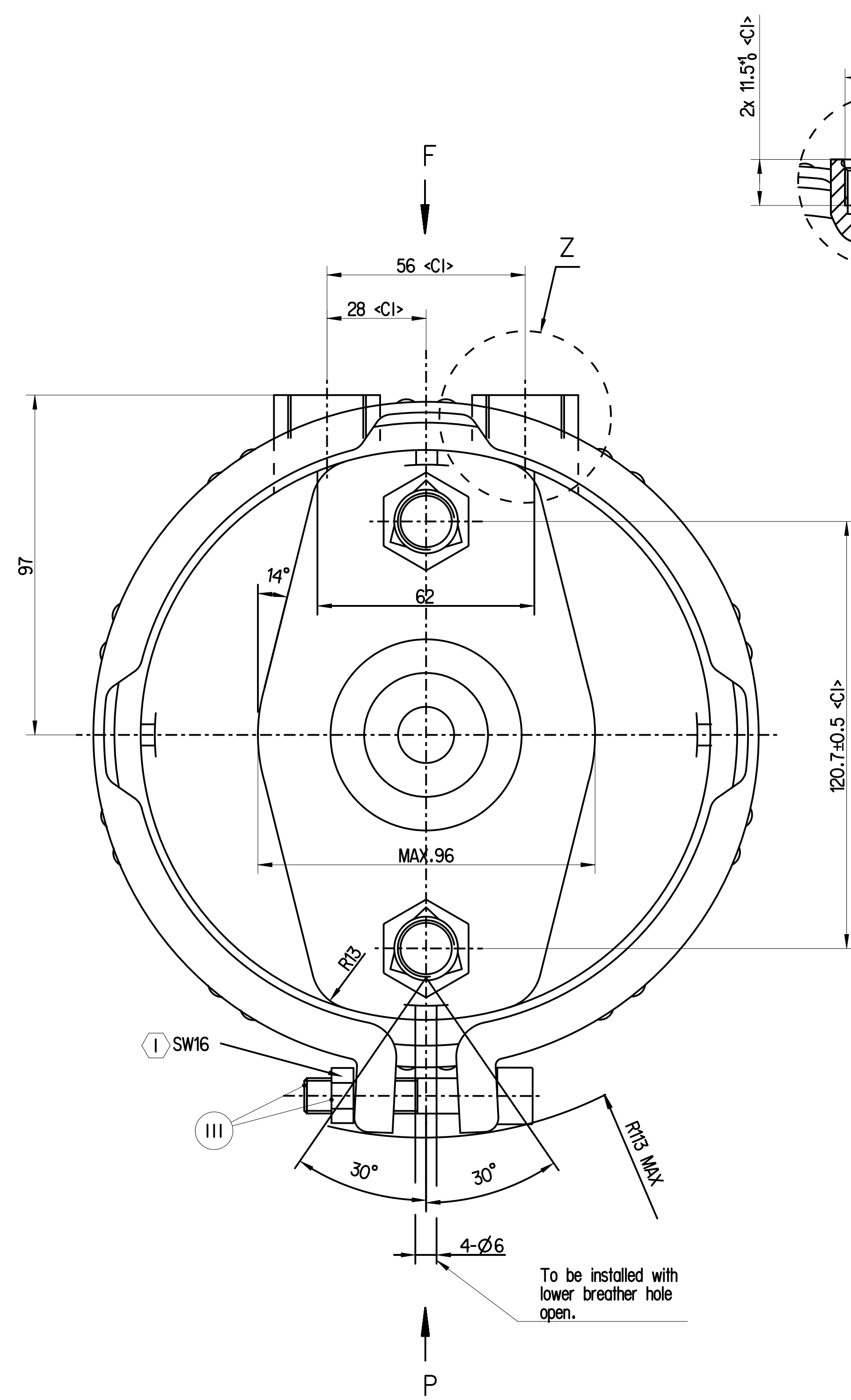
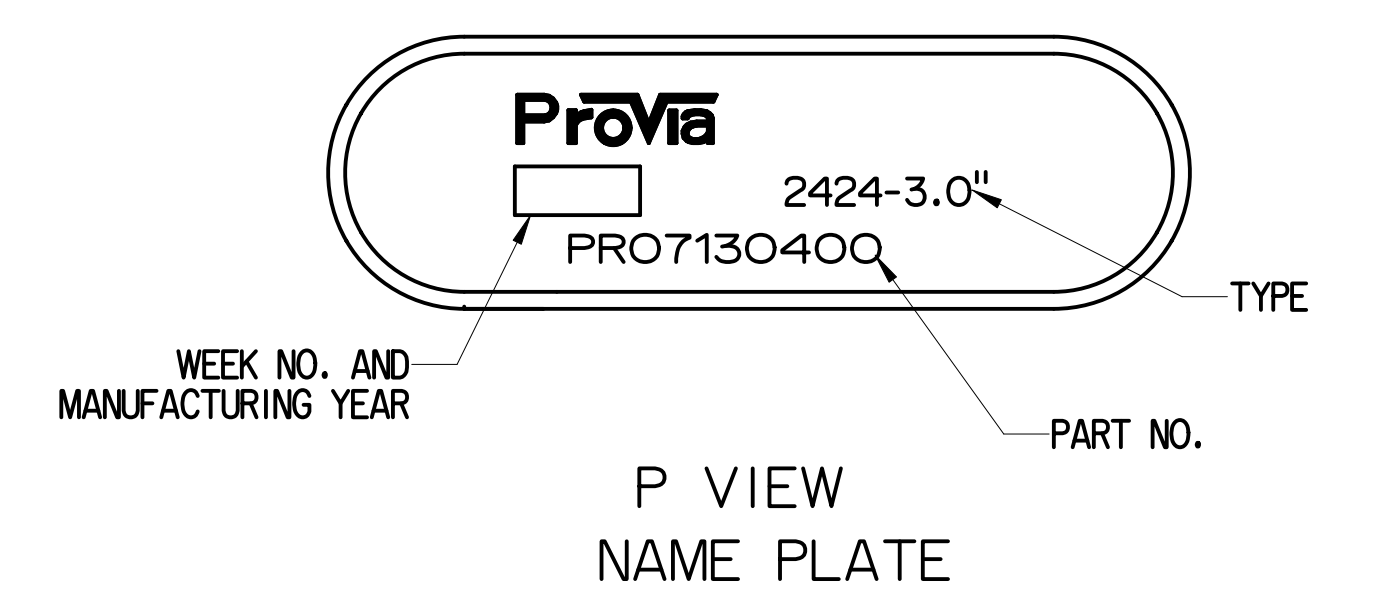
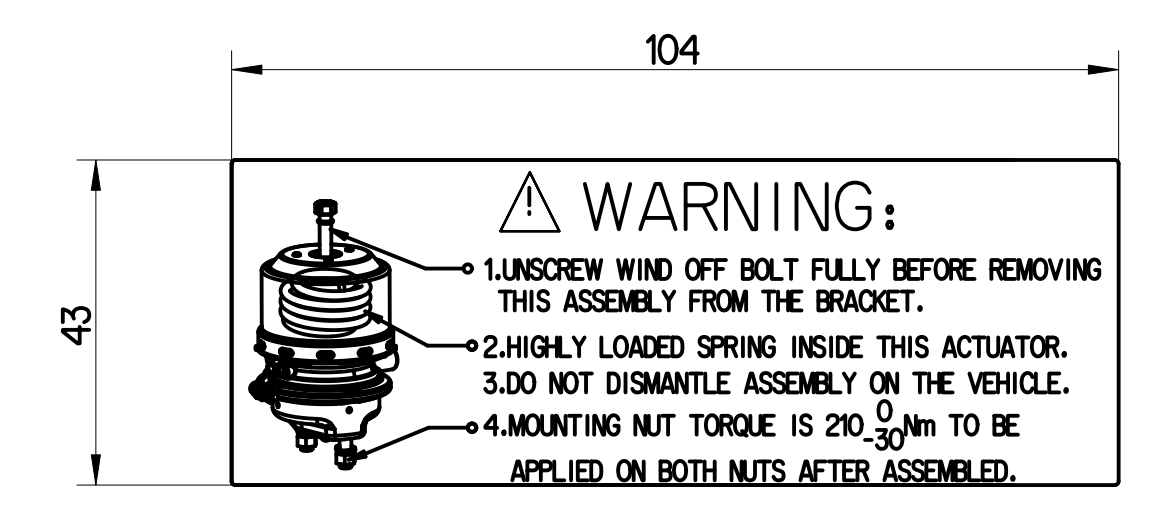
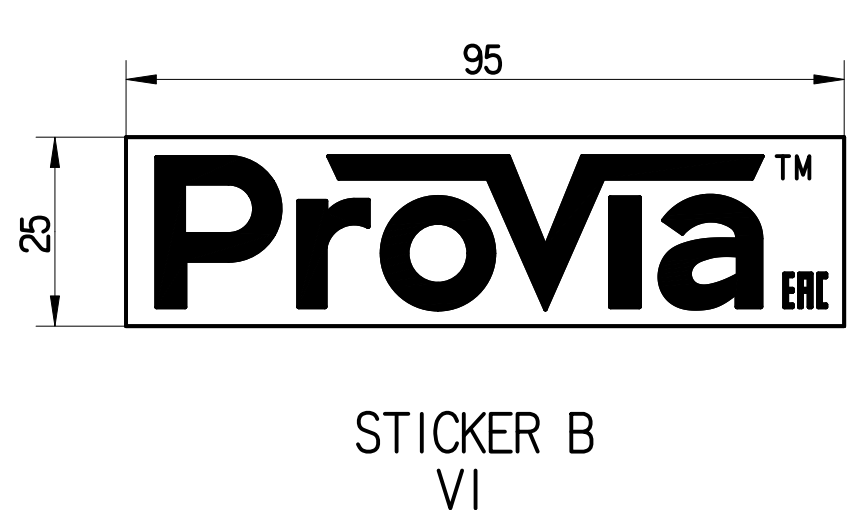
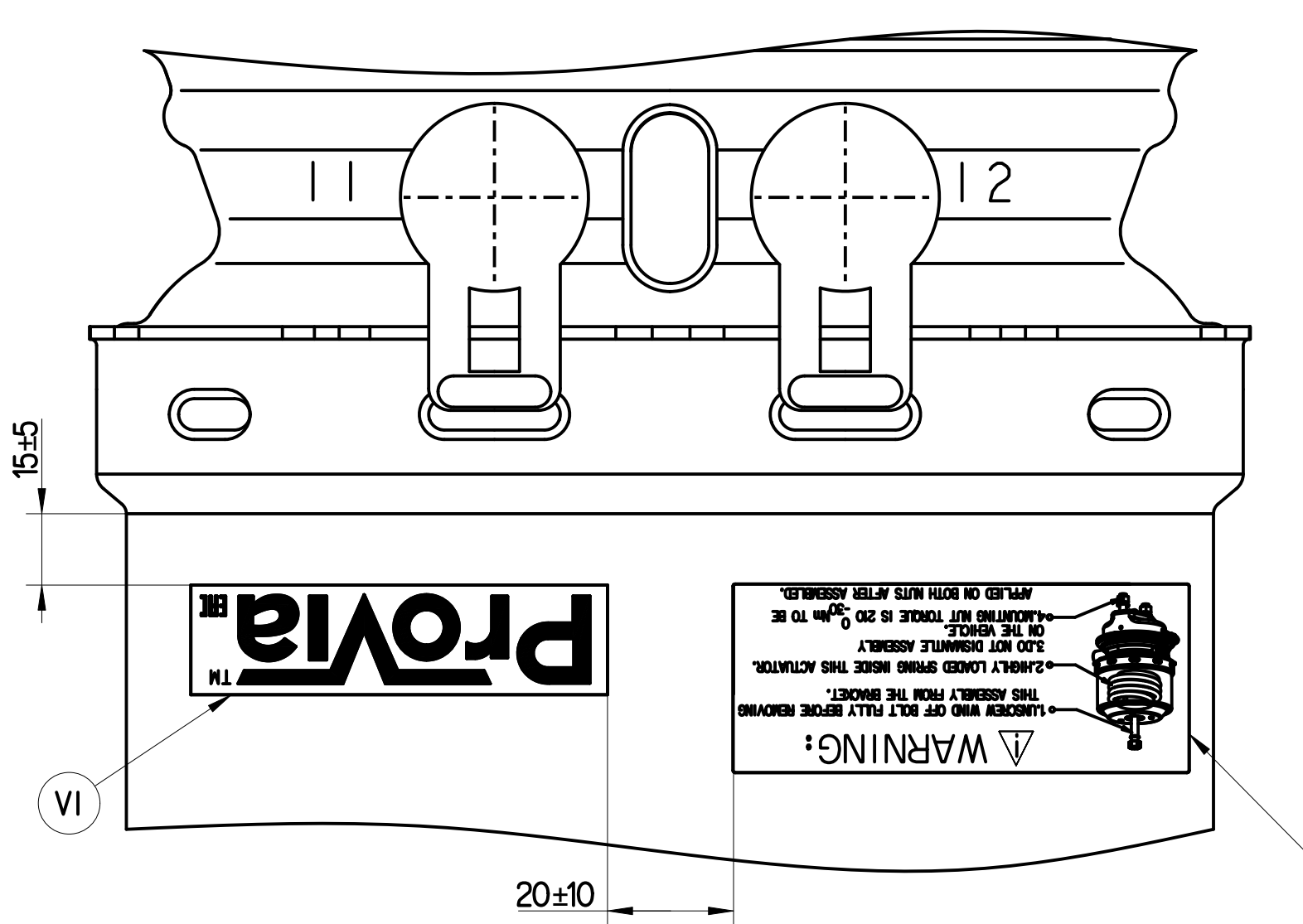


SURFACE PROTECTION	
I	ZINC PLATED WITH Cr6+ FREE
II	ELECTRO-PLATING
III	DACROMET
IV	SURFACE OXIDIZATION
V	RUBBER
VI	STICKERS
VII	BLACKENING

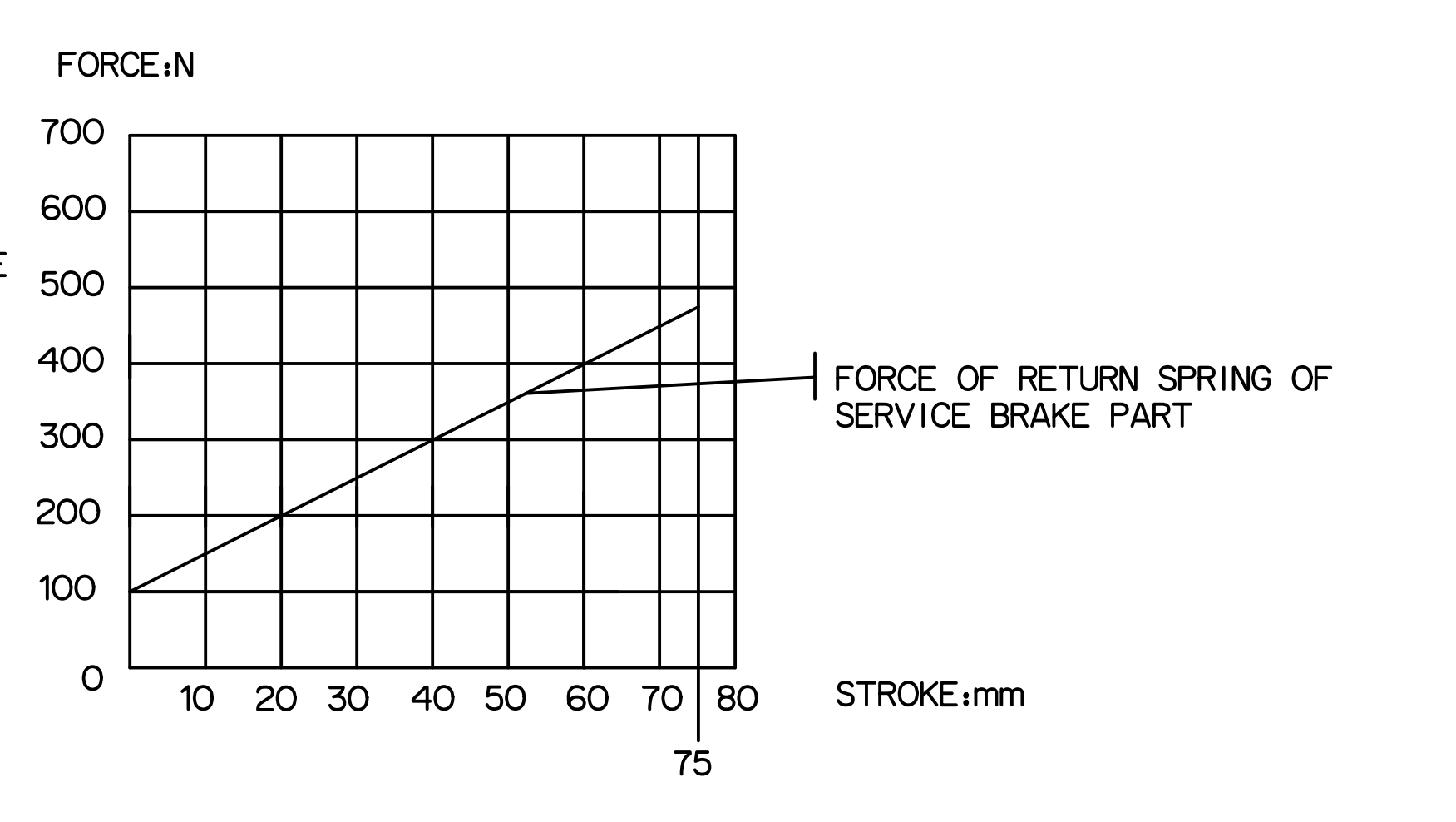
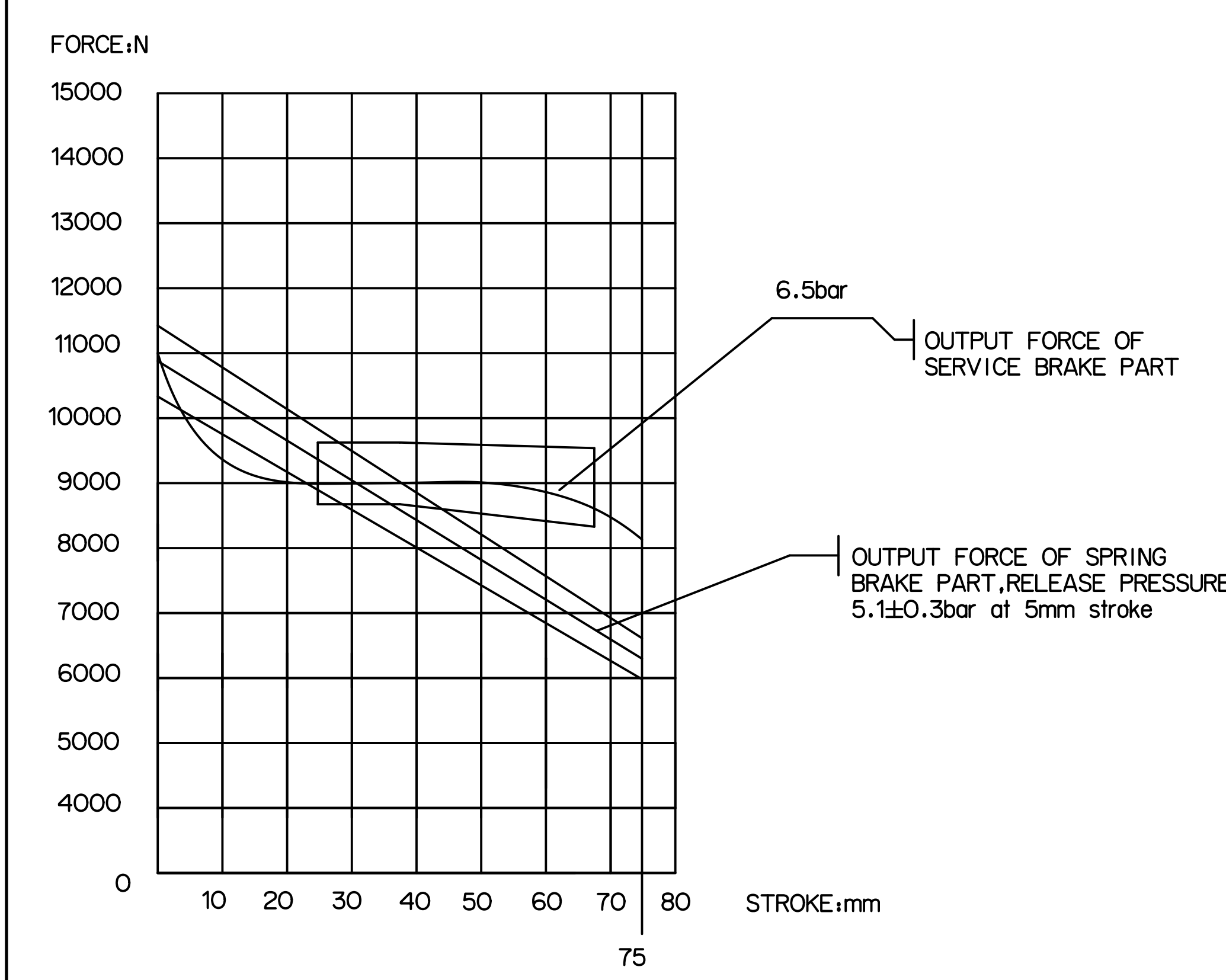
SAFETY CHARACTERISTICS	0
SIGNIFICANT CHARACTERISTICS	0
CUSTOMER INTERFACE	6



F VIEW



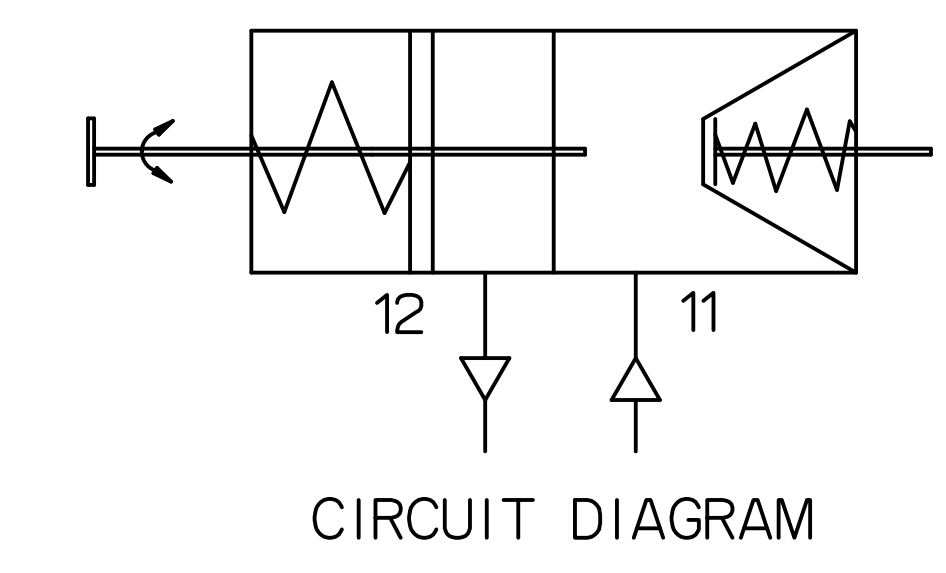
NOMINAL VALUES GIVEN FOR SERVICE SIDE, TOLERANCE BAND AS PER DIN 74060-3  
 NOMINAL VALUES GIVEN FOR SPRING SIDE, TOLERANCE BAND ± 5%  
 GRAPHS FOR INFORMATION ONLY



TECHNICAL REQUIREMENT:

1. STROKE: SERVICE BRAKE: ≥75mm; SPRING BRAKE: ≥75mm;
2. WORKING PRESSURE: SERVICE CHAMBER: Pmax 10.2 bar, TEMPORARILY 13 bar; PARKING CHAMBER: Pmax 8.5 bar, TEMPORARILY 11 bar.
3. WORKING TEMPERATURE: -40°C...+80°C; (-40°F...+176°F)
4. THE DRAWING IS AT CAGED CONDITION, THE PARKING CHAMBER WILL BE AT UNCAGED CONDITION DURING SHIPMENT;
5. WORKING MEDIUM: AIR.

- 1 TORQUE: ≥35Nm
- 2 RELEASE POSITION, RELEASING WITH: 80Nm MAX.
- 3 DRIVING POSITION, TIGHTENING WITH: 25 ± 20 Nm
- 4 TORQUE: MAX. 53Nm
- 5 ADMISSIBLE INSTALLATION POSITION
- 6 TORQUE: 210 ± 30 Nm
- 7 DEFLECTION: 8° MAX AT STROKE: 0 mm



General Specifications: ISO 8768, JED-388-1, Size ISO M400 LF		Copyright ©		ProVia	
Doc. Code: 0305	Sheet: 1 To 6	Date: 2024-07-30	Drawn: Kalya	TRISTOP - BRAKE ACTUATOR	
General Tolerances: JED-261		2024-07-30		Revision: 005 EN 1/1	
Range of Nominal Dimensions ( ± mm)		Dimensions in mm		Date of first issue: 2020-09-17	
Class	1	± 50	± 180	± 400	± 600
File	X	± 0.3	± 0.0	± 0.5	± 0.2
Medium	X	± 1	± 2	± 3	± 4
Course	X	± 2	± 3.5	± 5	± 6.5
Tapped holes acc. JED-388		CAD System		Department for	
Tolerances: JED-388		SIT261		5400_AIM	