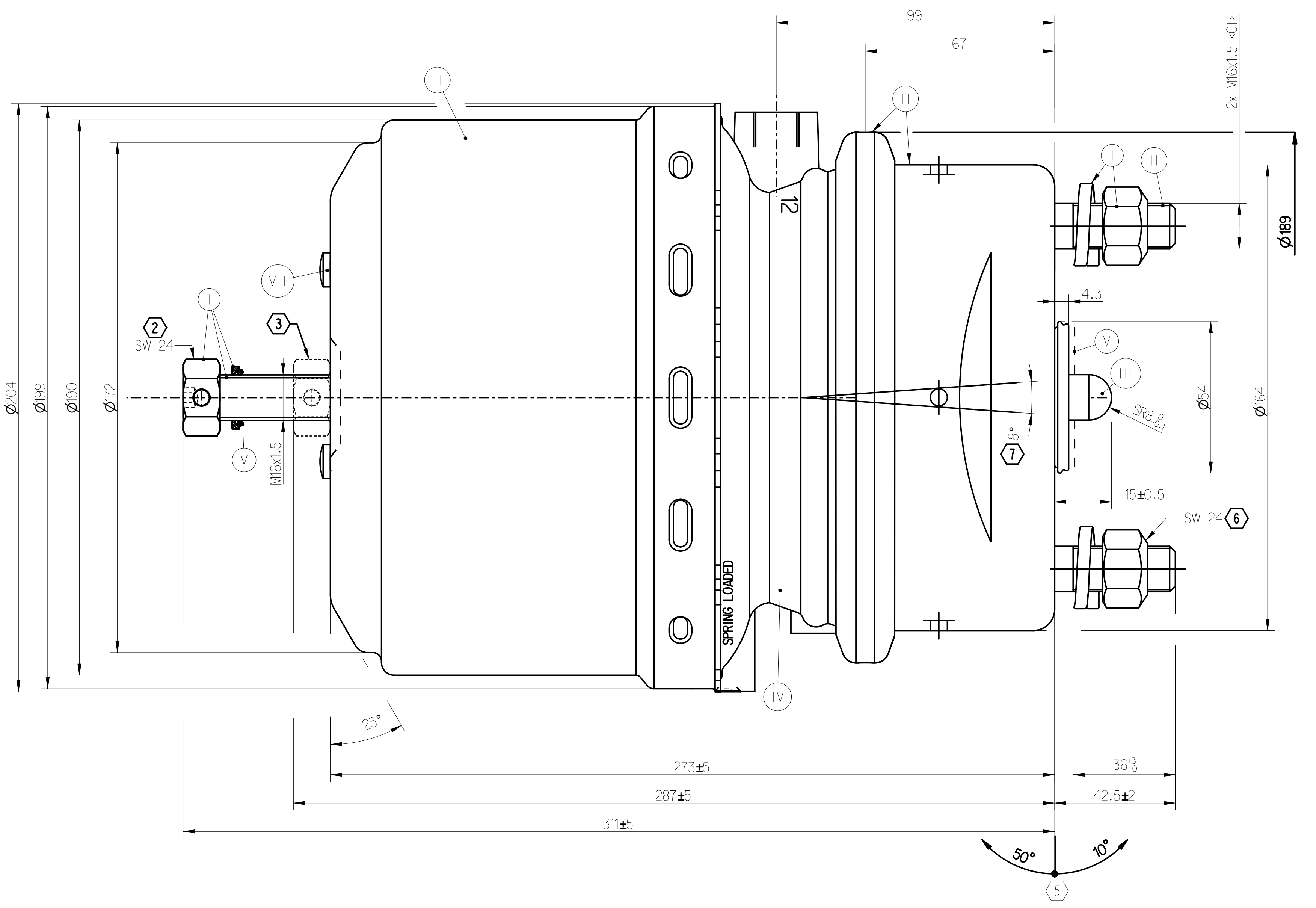
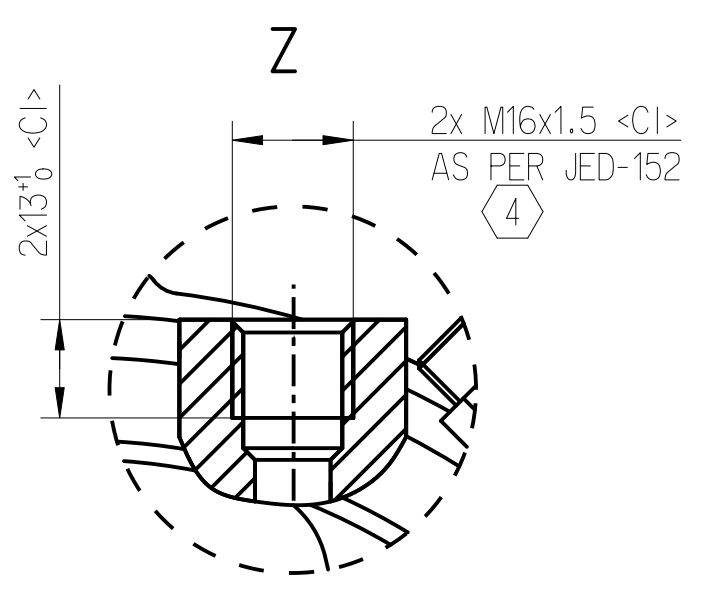
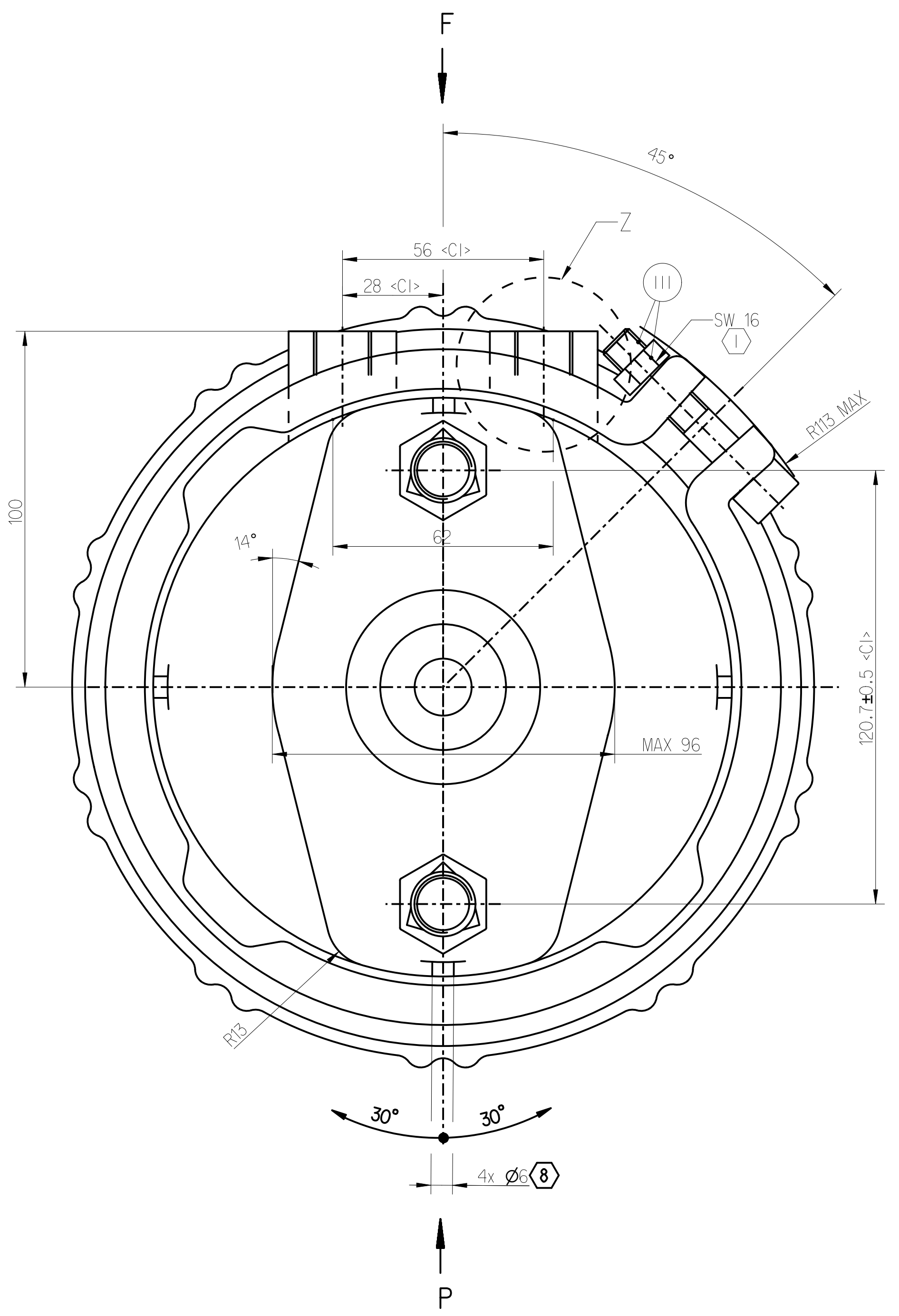
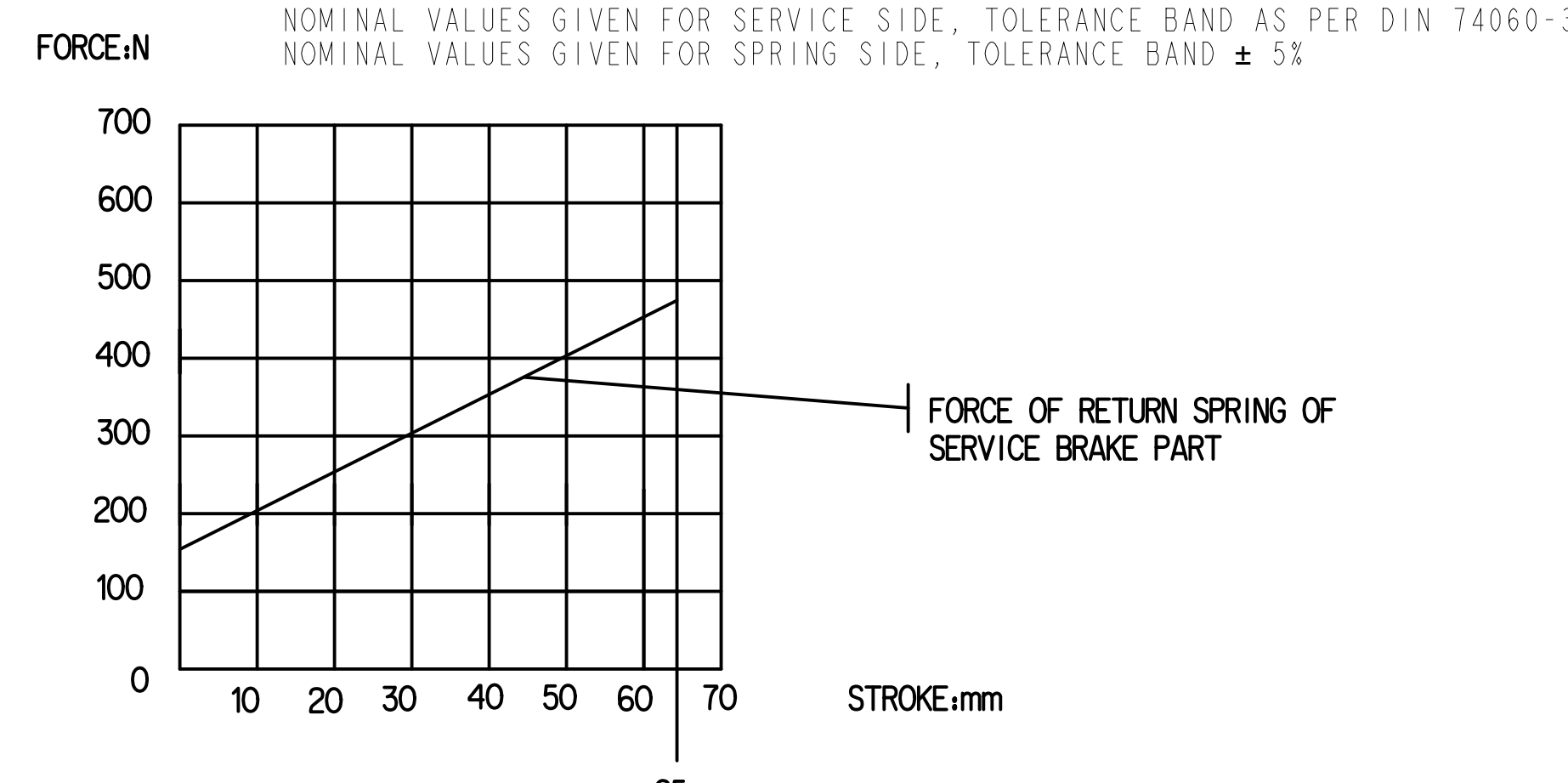
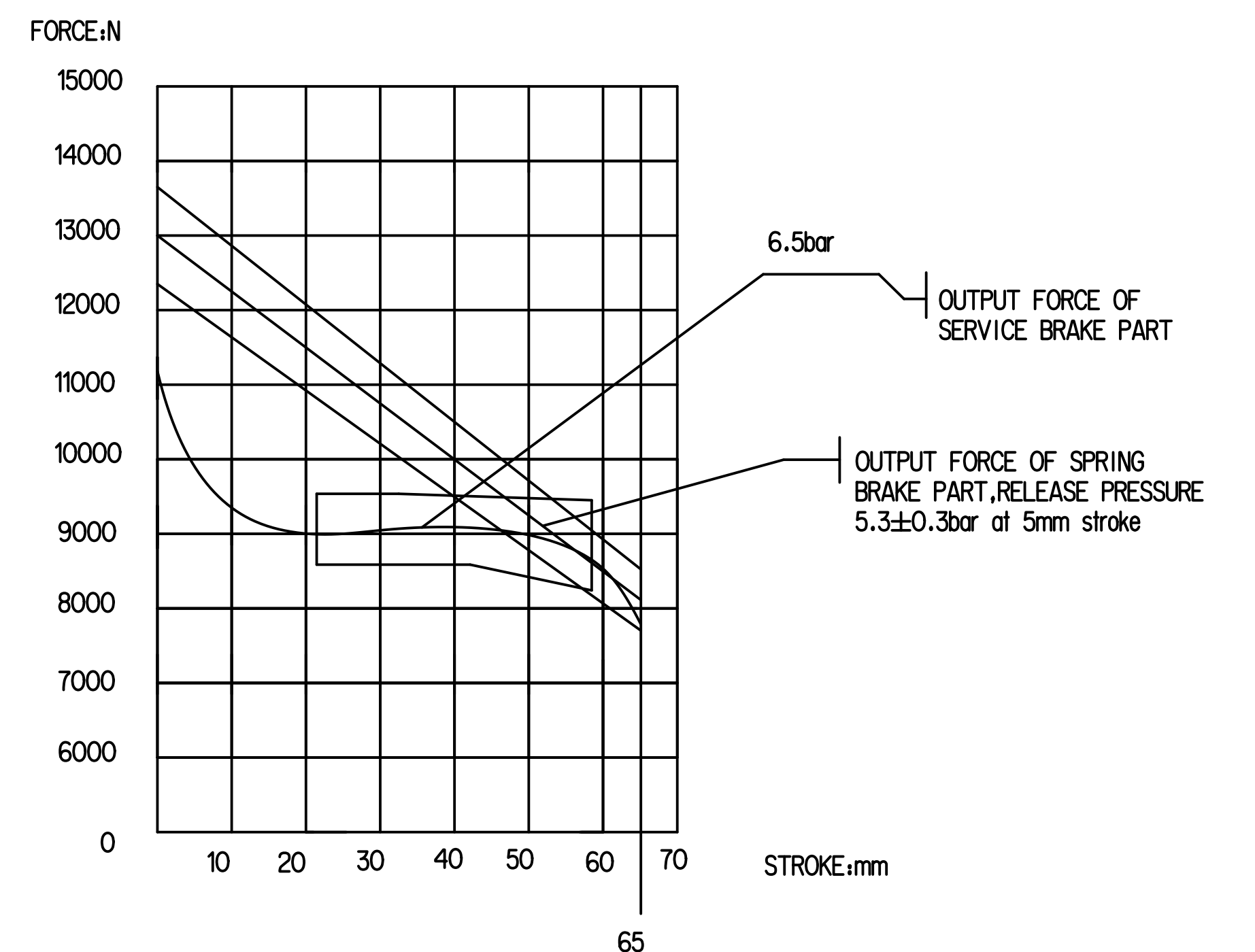


SURFACE PROTECTION	
I	ZINC PLATED WITH CR6+ FREE
II	ELECTRO-PAINTING
III	DACROMET
IV	SURFACE OXIDIZATION
V	RUBBER
VI	STICKERS
VII	BLACKENING

SAFETY CHARACTERISTICS	0
SIGNIFICANT CHARACTERISTICS	0
CUSTOMER INTERFACE	6

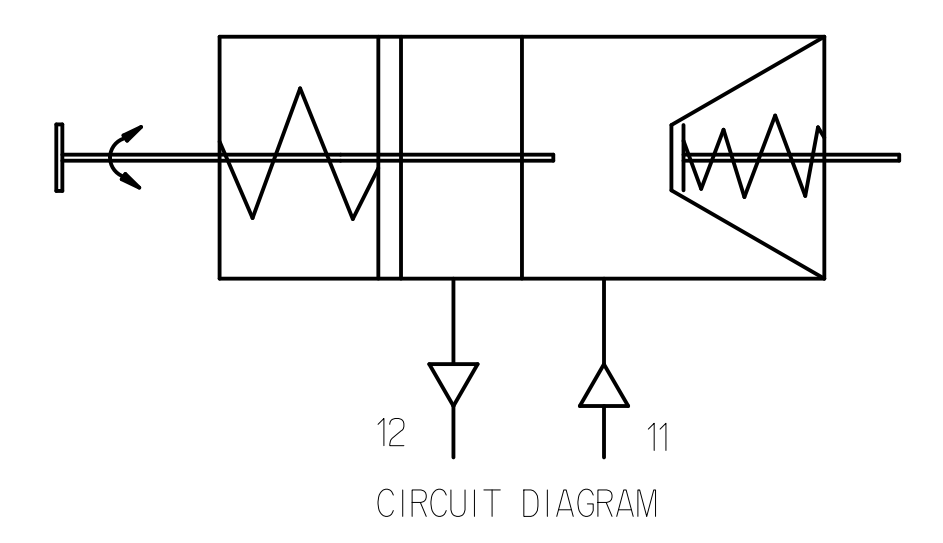
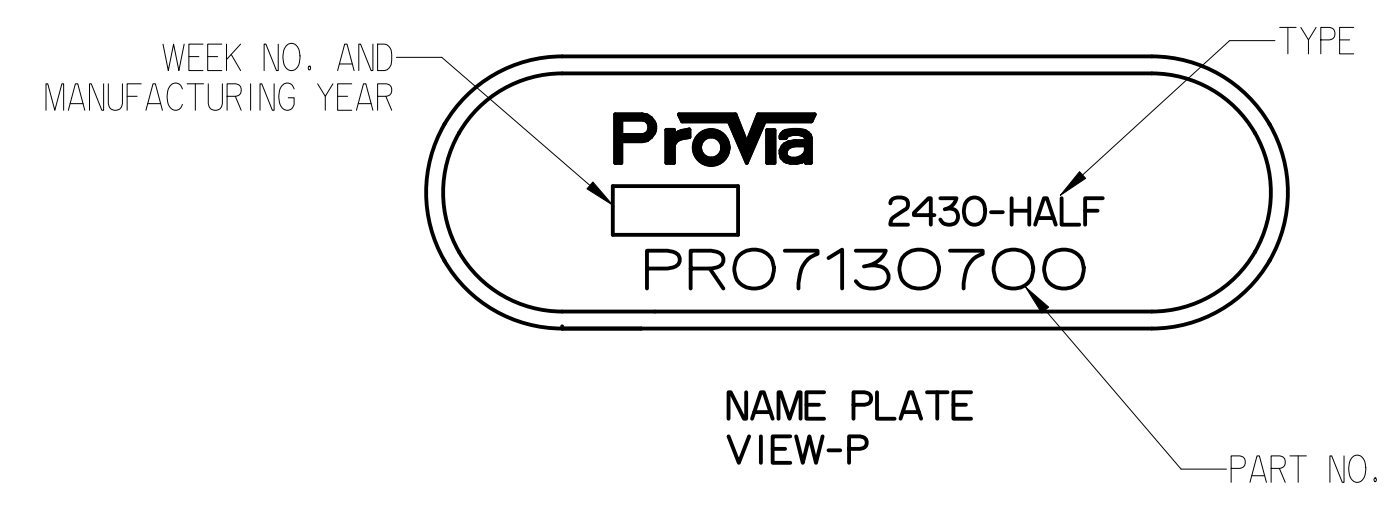
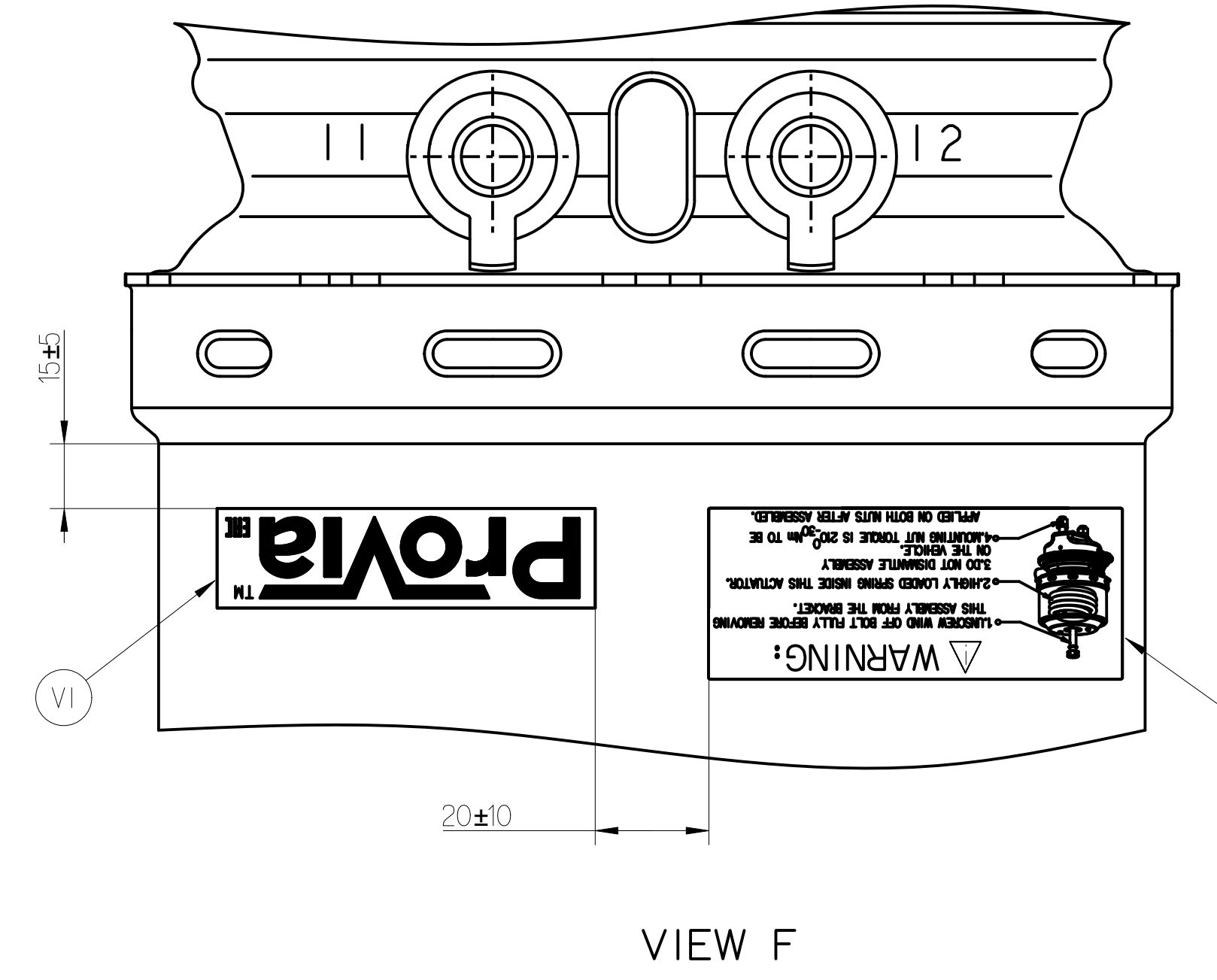
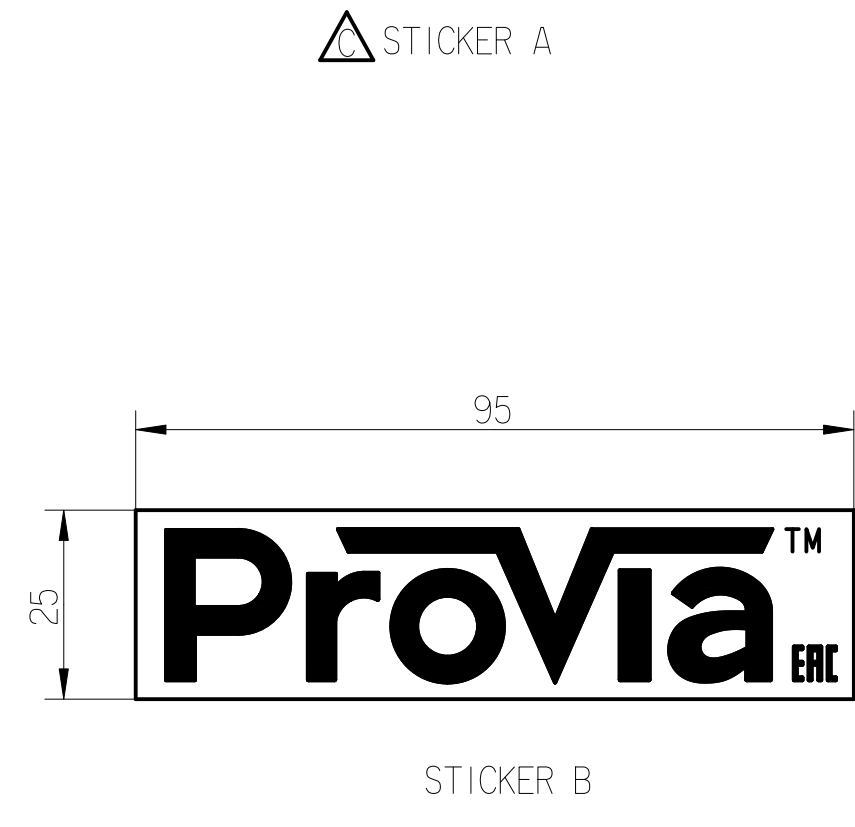
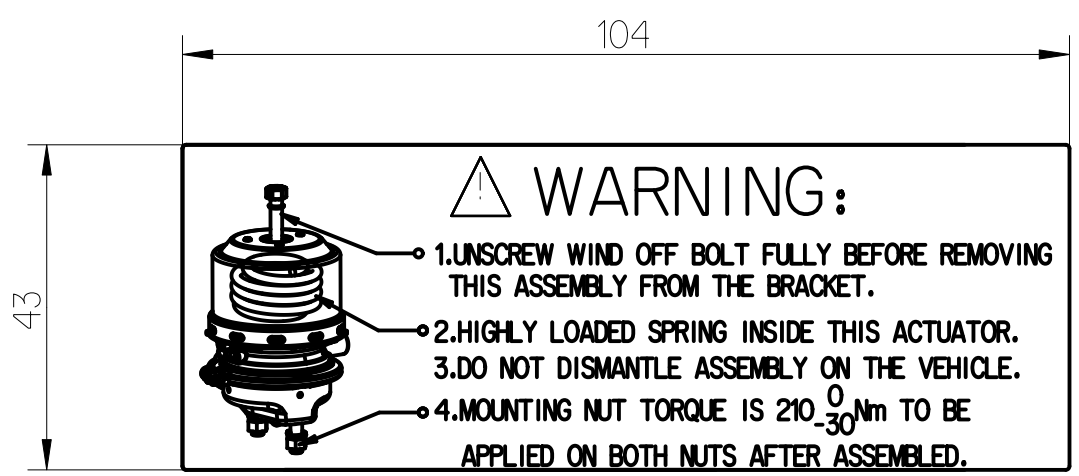


GRAPHS FOR INFORMATION ONLY



- ① TORQUE: ≥ 35 Nm
- ② RELEASE POSITION, RELEASING WITH: 80Nm MAX.
- ③ DRIVING POSITION, TIGHTENING WITH: 25 Nm
- ④ TORQUE: MAX. 34Nm
- ⑤ ADMISSIBLE INSTALLATION POSITION
- ⑥ TORQUE: 210 ± 30 Nm
- ⑦ DEFLECTION: 8° MAX AT STROKE: 0 mm
- ⑧ TO BE INSTALLED WITH LOWER BREATHER HOLE OPEN

- TECHNICAL REQUIREMENT:**
- STROKE:**
SERVICE BRAKE: ≥ 65 mm
SPRING BRAKE: ≥ 65 mm
 - WORKING PRESSURE:**
SERVICE CHAMBER: Pmax 10,2 bar, TEMPORARILY 13 bar;
PARKING CHAMBER: Pmax 8.5 bar, TEMPORARILY 11 bar.
 - WORKING TEMPERATURE:** -40°C...+80°C (-40°F...+176°F)
 - THE DRAWING IS AT CAGED CONDITION, THE PARKING CHAMBER WILL BE AT UNCAGED CONDITION DURING SHIPMENT.
 - WORKING MEDIUM:** AIR.



General Specification: ISO 8768, JED-354-1, Size ISO 14000 LP		Copyright ©		ProVia	
Doc. Code: 030	Sheet: 1 To 6	Date: 2024-07-30	Drawn: Kalyan	TRISTOP - BRAKE ACTUATOR 24/30	
Class: 1	± 50 ± 180 ± 400 ± 400	General Tolerances: JED-261	Checked: Vargheseh	Date of first issue: 2020-03-31	
Fine: 0.03 0.10 0.15 0.2		Min: 1	Scale: 1	Material No.:	Date of first issue: 2020-03-31
Medium: X 0.1 0.2 0.3 0.4		Max: 1	NTS	PRO 713 070 0	Doc. Code: Language: 005 EN 1/1
Coarse: 0.4 0.5 0.6 0.8 1.0		Min: 1	ISO 15021-1	Revision: 1	Techn. Resp: 54200_AAM
Tapped holes acc. JED-152					
1) Tolerances class: Appoint chromed					