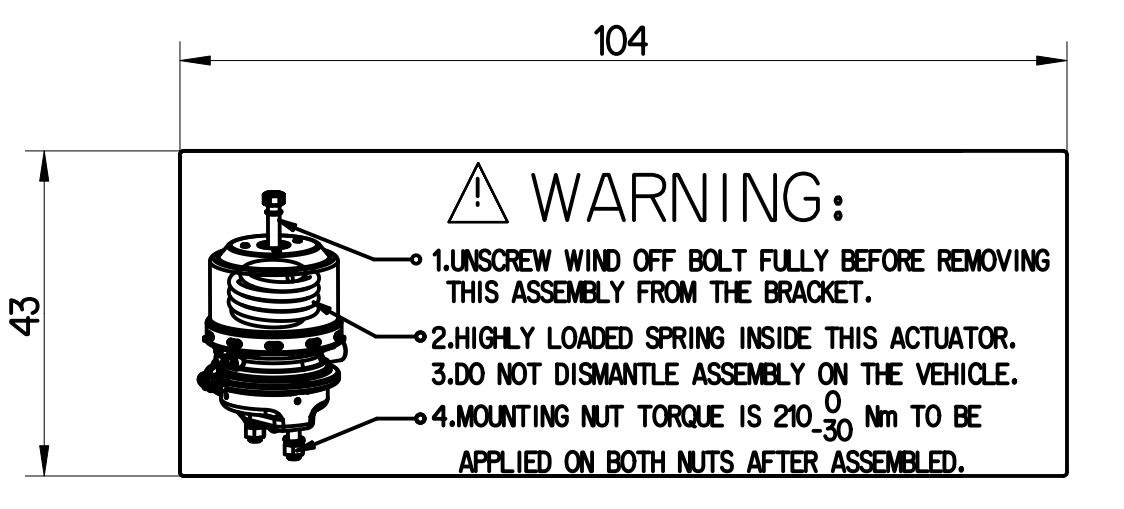
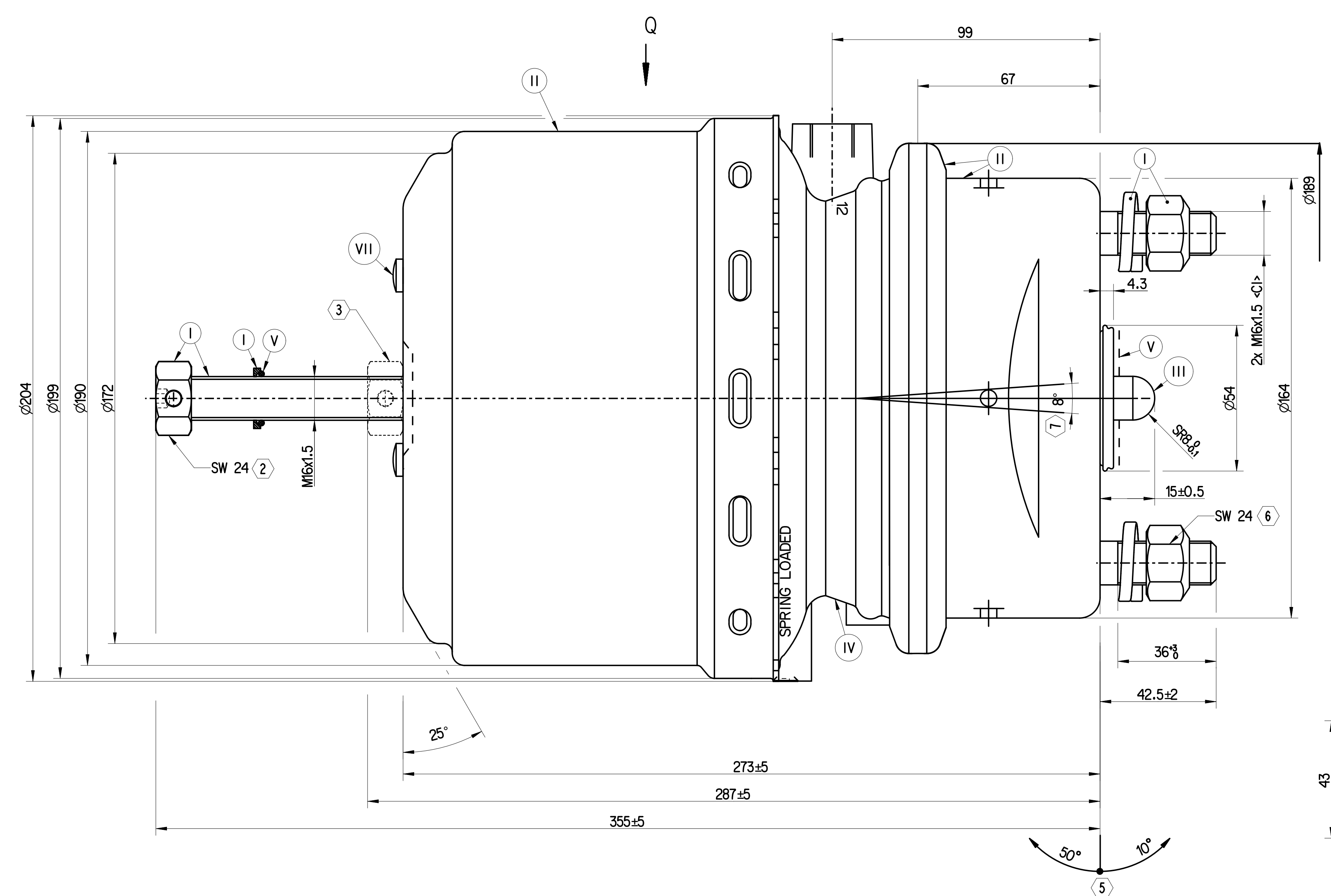
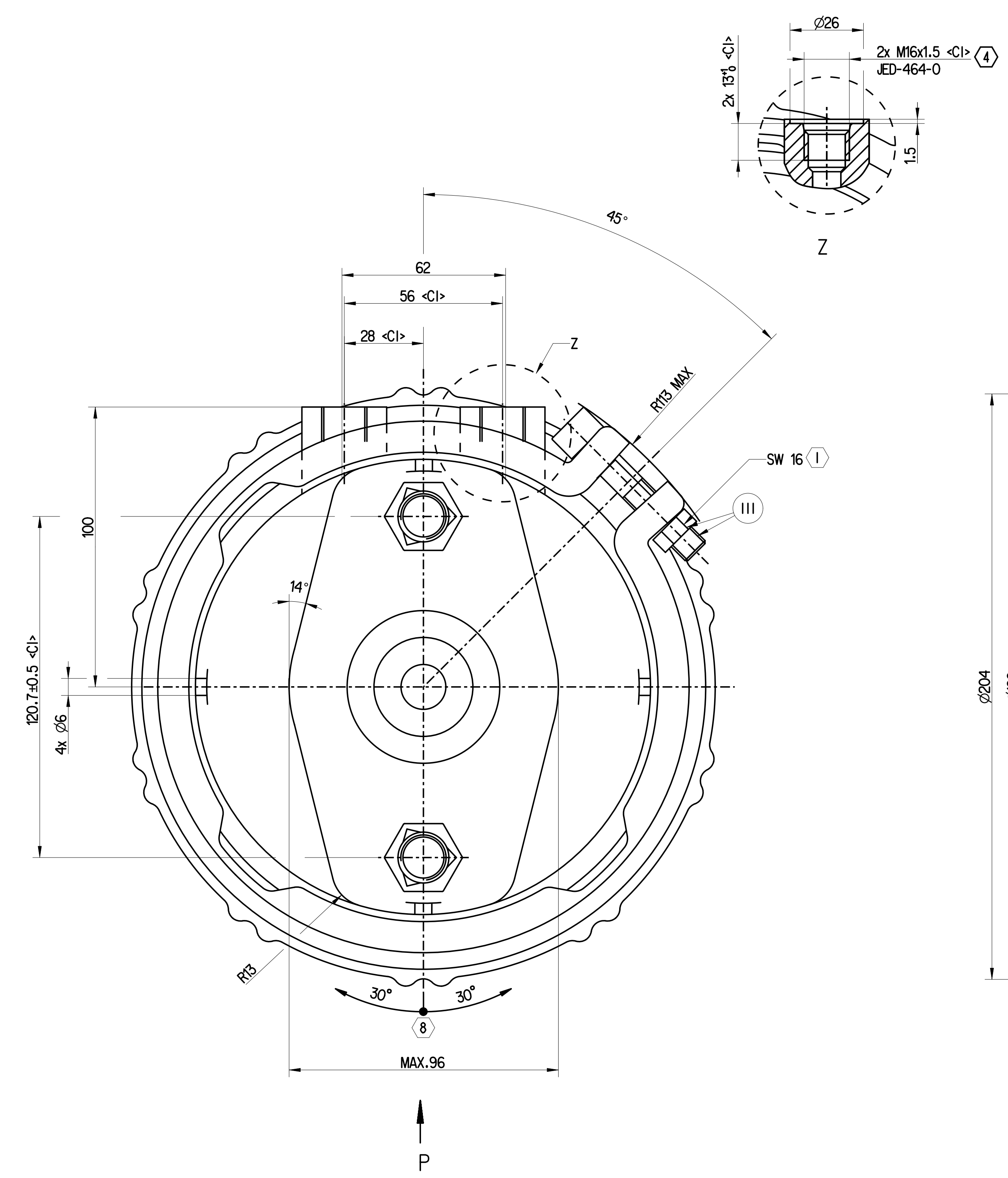
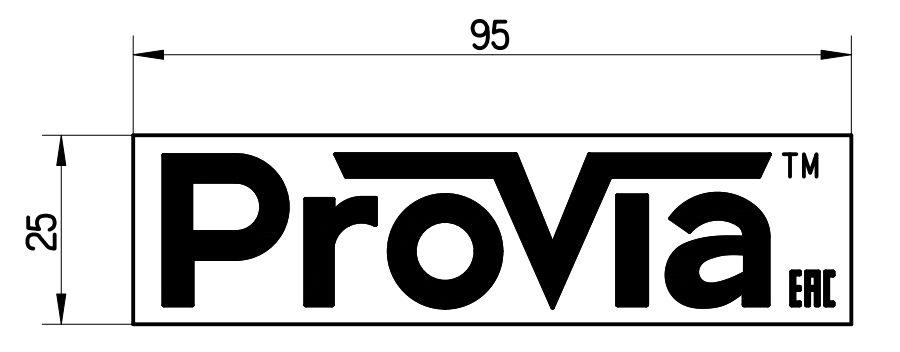


S.NO	SURFACE PROTECTION
I	ZINC PLATED WITH CR6+ FREE
II	ELECTRO-PAINTING
III	DACROMET
IV	SURFACE OXIDIZATION
V	RUBBER
VI	STICKERS
VII	BLACKENING

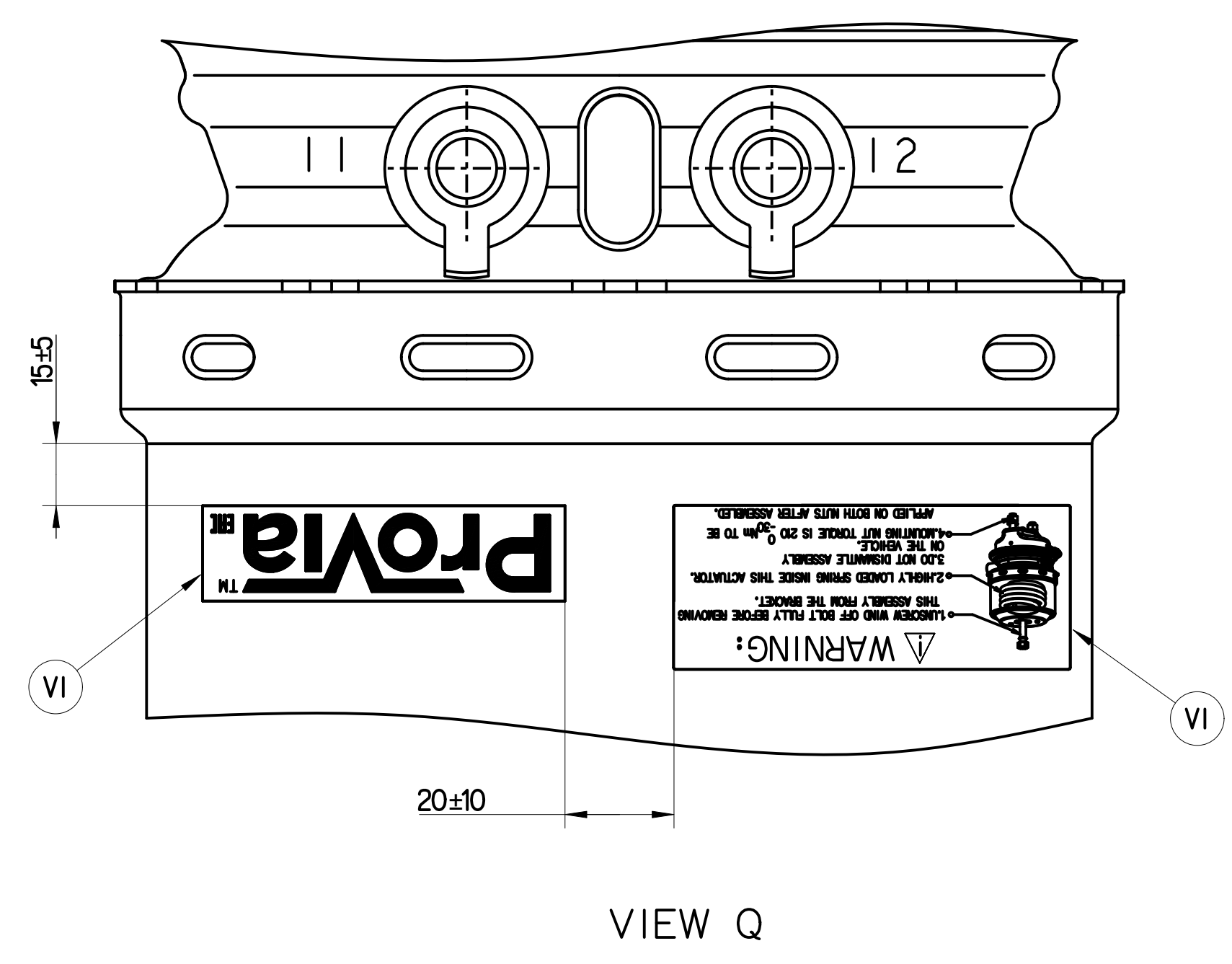
SAFETY CHARACTERISTICS	0
SIGNIFICANT CHARACTERISTICS	0
CUSTOMER INTERFACE	6



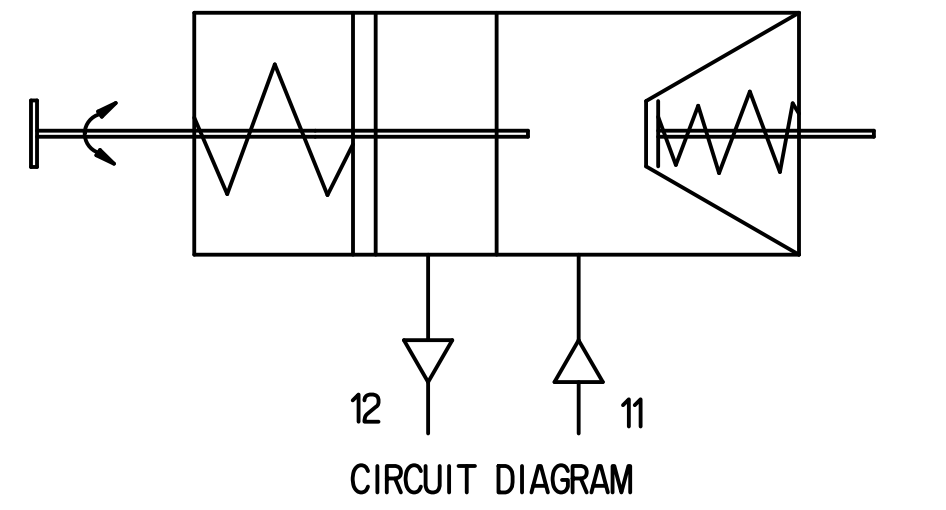
STICKER A



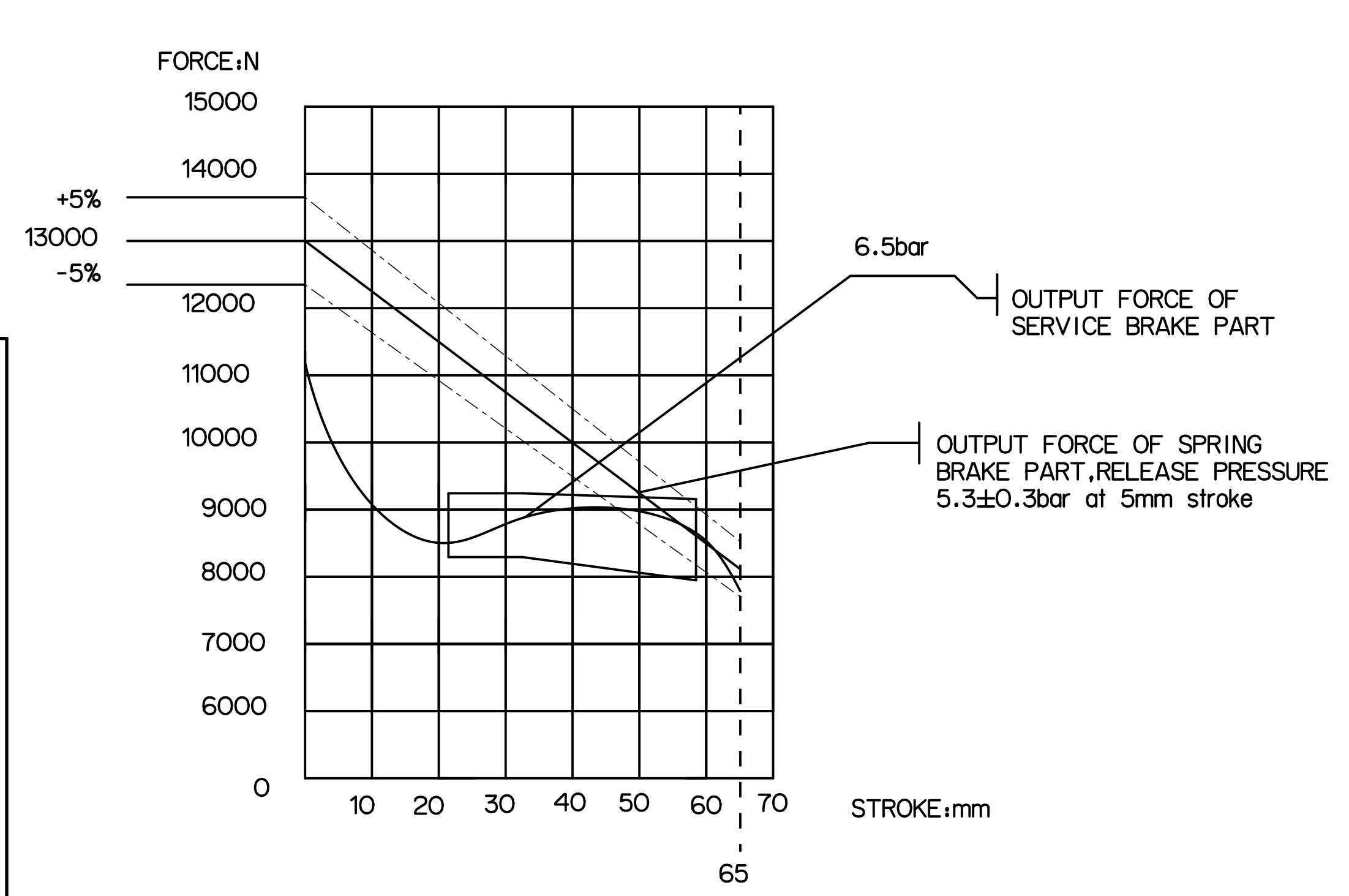
STICKER B



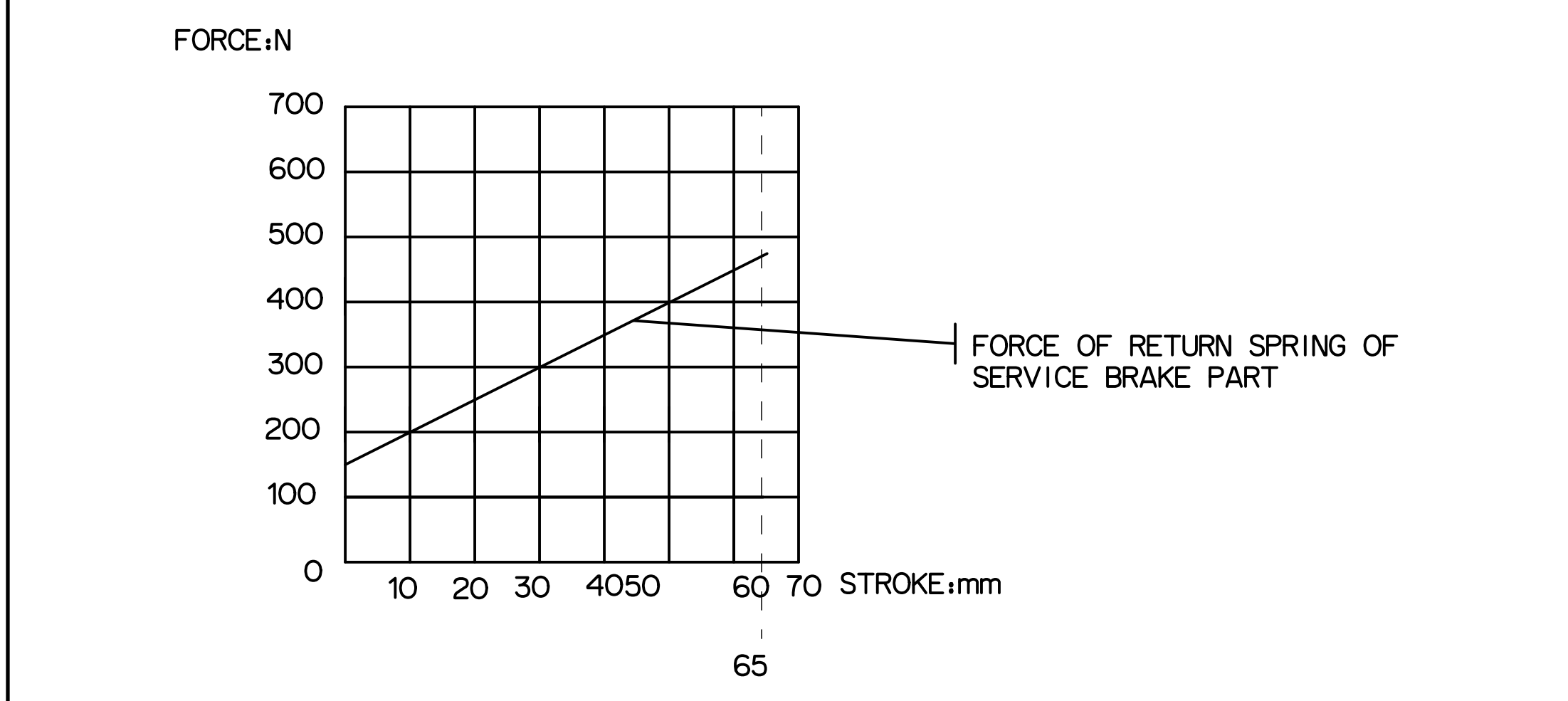
VIEW Q



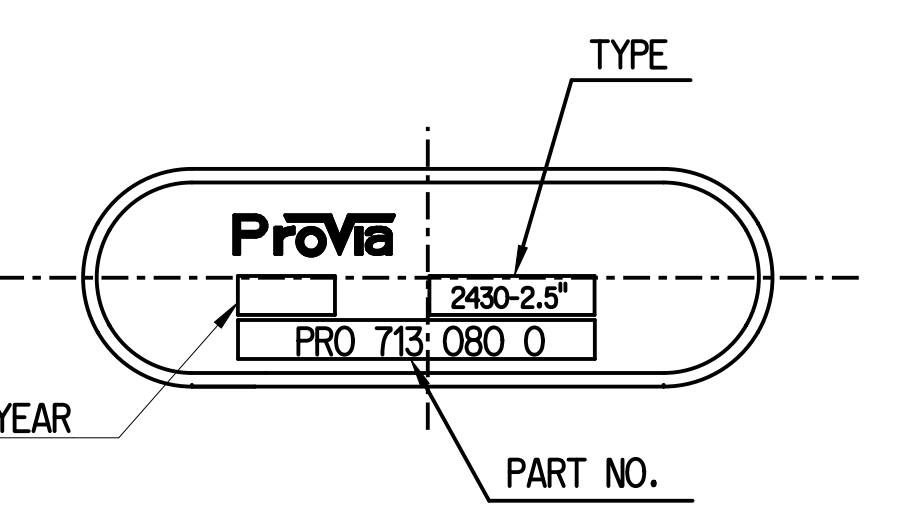
CIRCUIT DIAGRAM



NOMINAL VALUES GIVEN FOR SERVICE SIDE, TOLERANCE BAND AS PER DIN 74060-3  
NOMINAL VALUES GIVEN FOR SPRING SIDE, TOLERANCE BAND ± 5%



GRAPHS FOR INFORMATION ONLY



NAME PLATE

VIEW P

- ① TORQUE: ≥35Nm
- ② RELEASE POSITION, RELEASING WITH: 80Nm MAX.
- ③ DRIVING POSITION, TIGHTENING WITH: 25<sup>+30</sup><sub>0</sub> Nm
- ④ TORQUE: MAX.34Nm
- ⑤ ADMISSIBLE INSTALLATION POSITION
- ⑥ TORQUE: 210<sup>0</sup><sub>30</sub> Nm
- ⑦ DEFLECTION: 8° MAX AT STROKE:0 mm
- ⑧ TO BE INSTALLED WITH LOWER BREATHER HOLE OPEN

TECHNICAL REQUIREMENT:

- 1. STROKE:  
SERVICE BRAKE: ≥65mm  
SPRING BRAKE: ≥65mm;
- 2. WORKING PRESSURE:  
SERVICE CHAMBER: Pmax 10.2 bar, TEMPORARILY 13 bar;  
PARKING CHAMBER: Pmax 8.5 bar, TEMPORARILY 11 bar.
- 3. WORKING TEMPERATURE: -40°C...+80°C;
- 4. THE DRAWING IS AT CAGED CONDITION, THE PARKING CHAMBER WILL BE AT UNCAGED CONDITION DURING SHIPMENT.
- 5. WORKING MEDIUM: AIR.

General Specification: ISO 8768, JED-354-1, Size ISO 14000 LP		Copyright ©		ProVia	
Further Technical Data: PRO 713 080 0		Date: 2024-07-30		TRISTOP - BRAKE ACTUATOR	
Doc. Code: 0205		Sheet: 1 To 6		2024-07-30	
General Tolerance: JED-261		2024-07-30		Vargheseh	
Range of Nominal Dimensions ( ± a, mm)		Dimensions in mm		Midland No.	
Class	1	± 50	± 180	± 400	± 400
File	X	± 0.3	± 0.0	± 0.5	± 0.2
Medium	X	± 1	± 2	± 3	± 4
Course	X	± 2	± 3.5	± 5	± 6.5
Tapped holes acc. JED-464		A 0		CRO	
Tolerance class: Appoint Chromodrom		517261		5400_AM	
Date of first issue: 2020-09-17		005		EN 1/1	