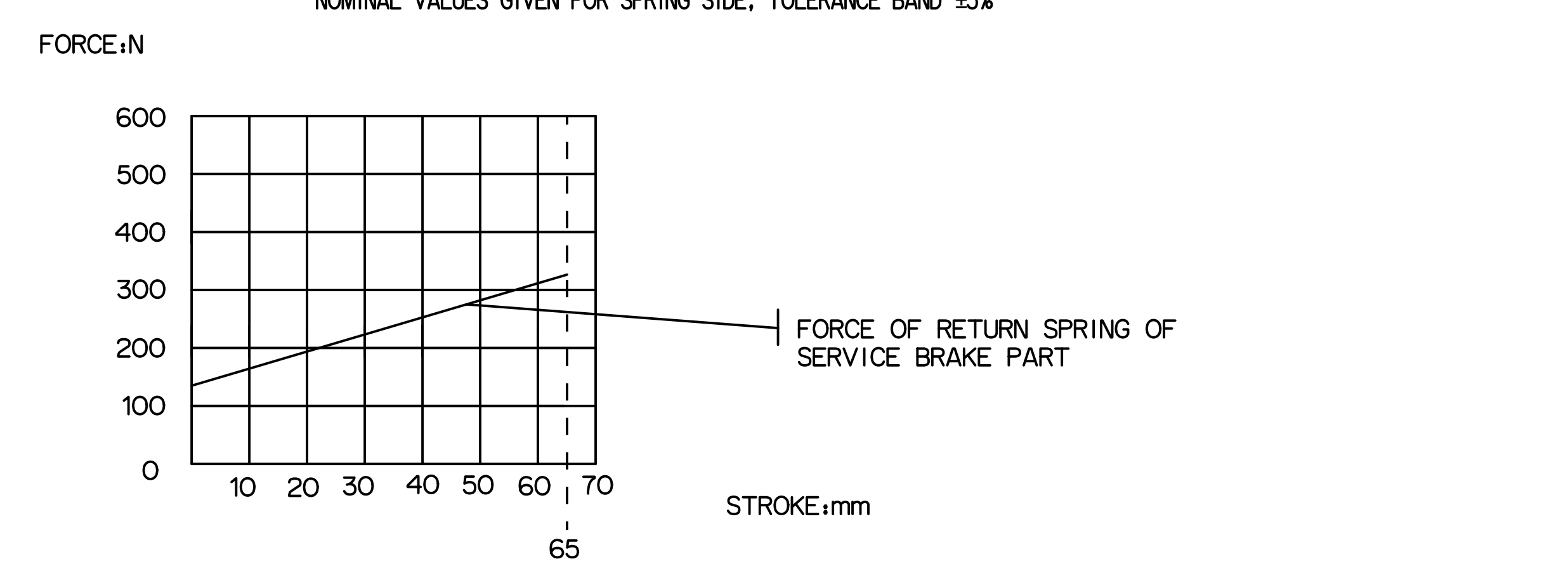
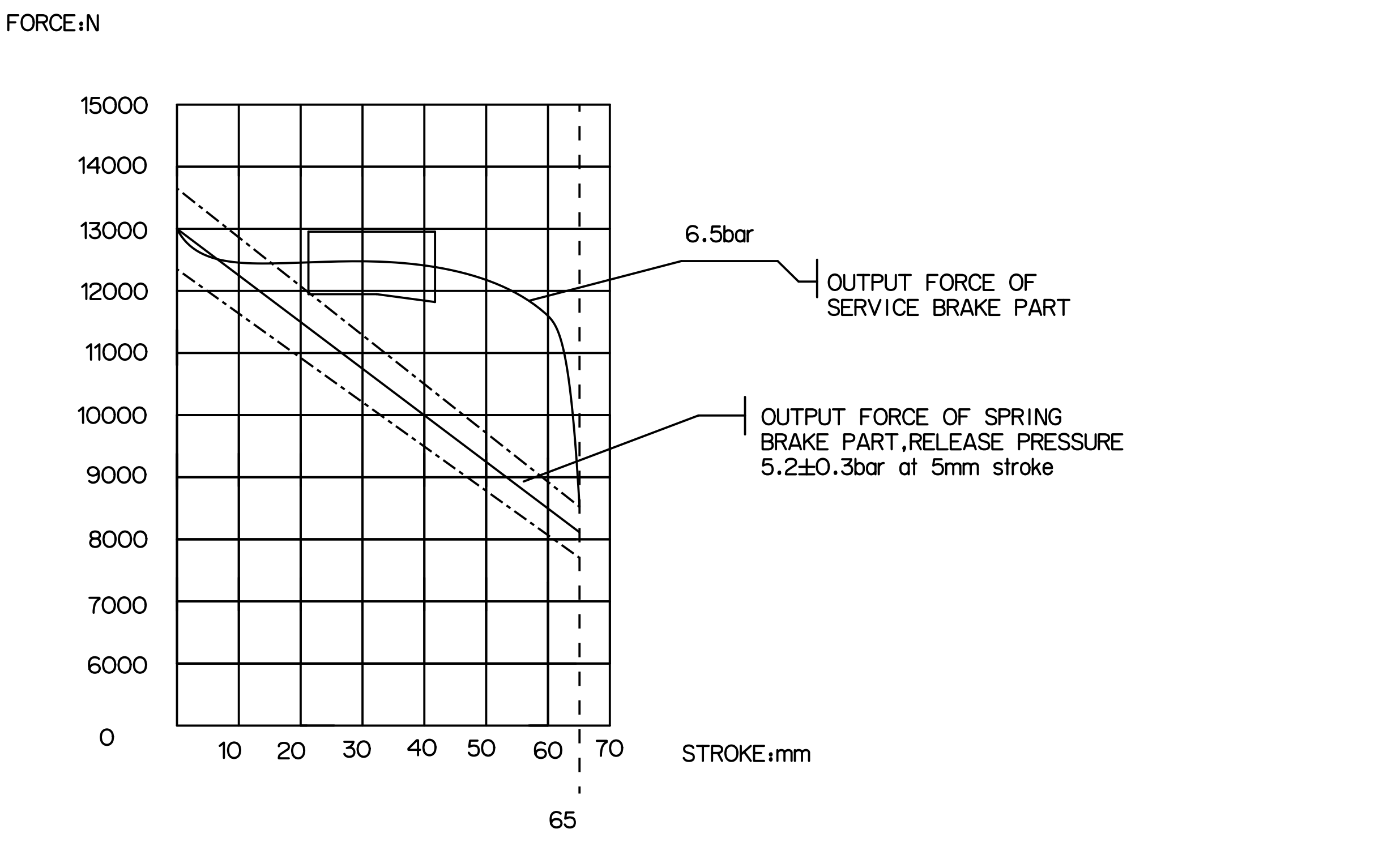
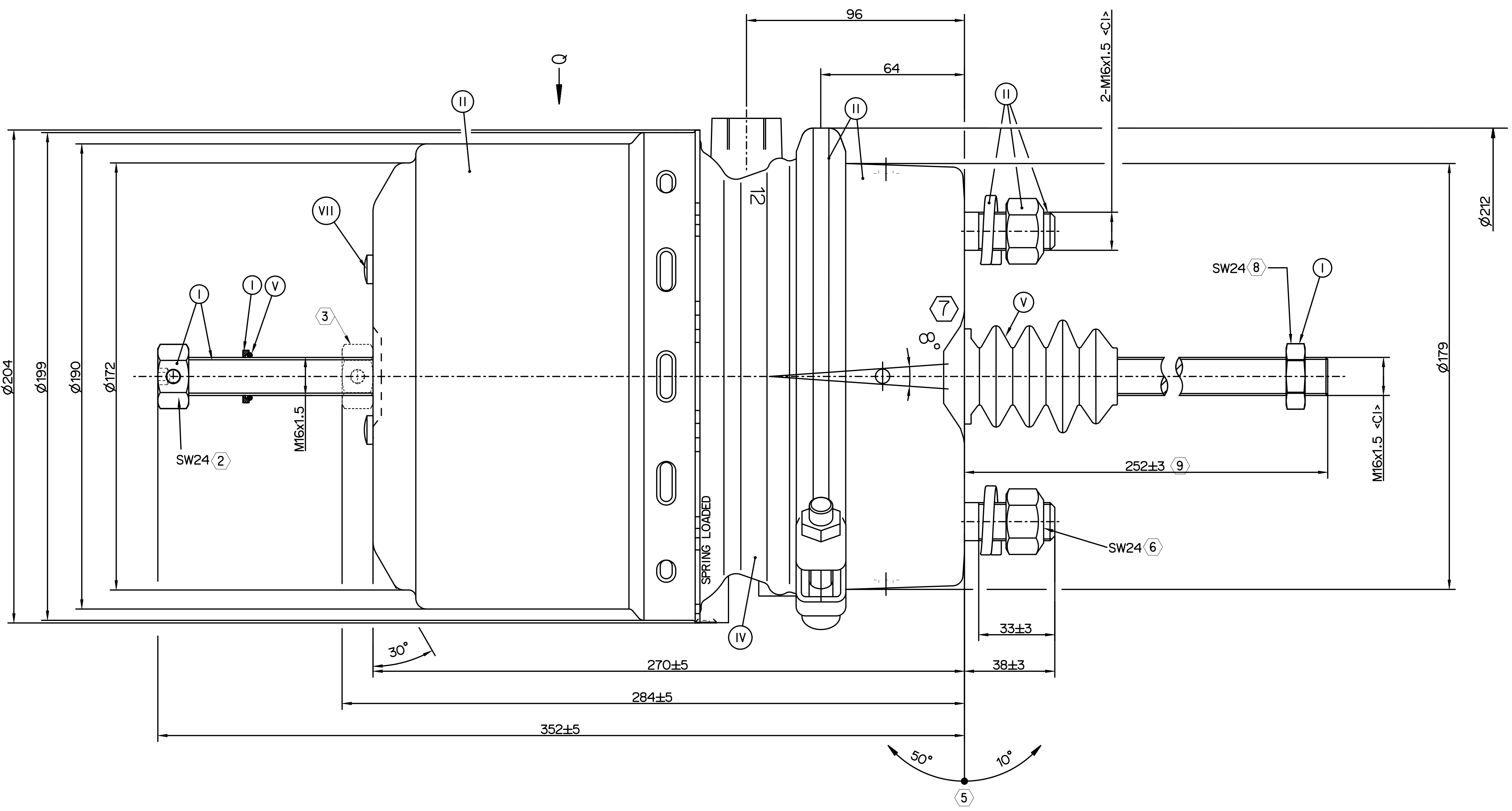
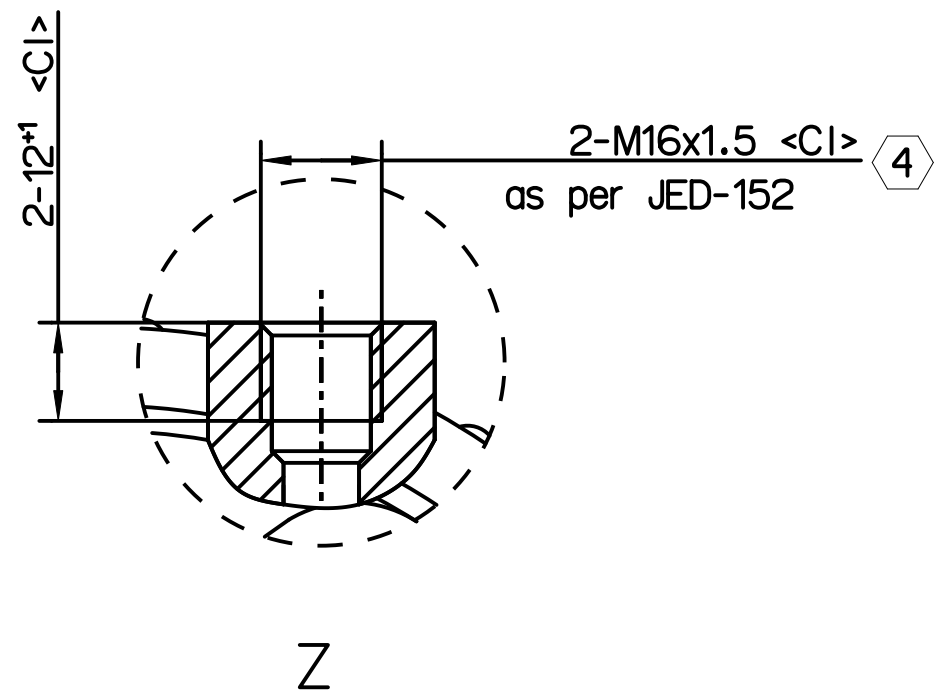
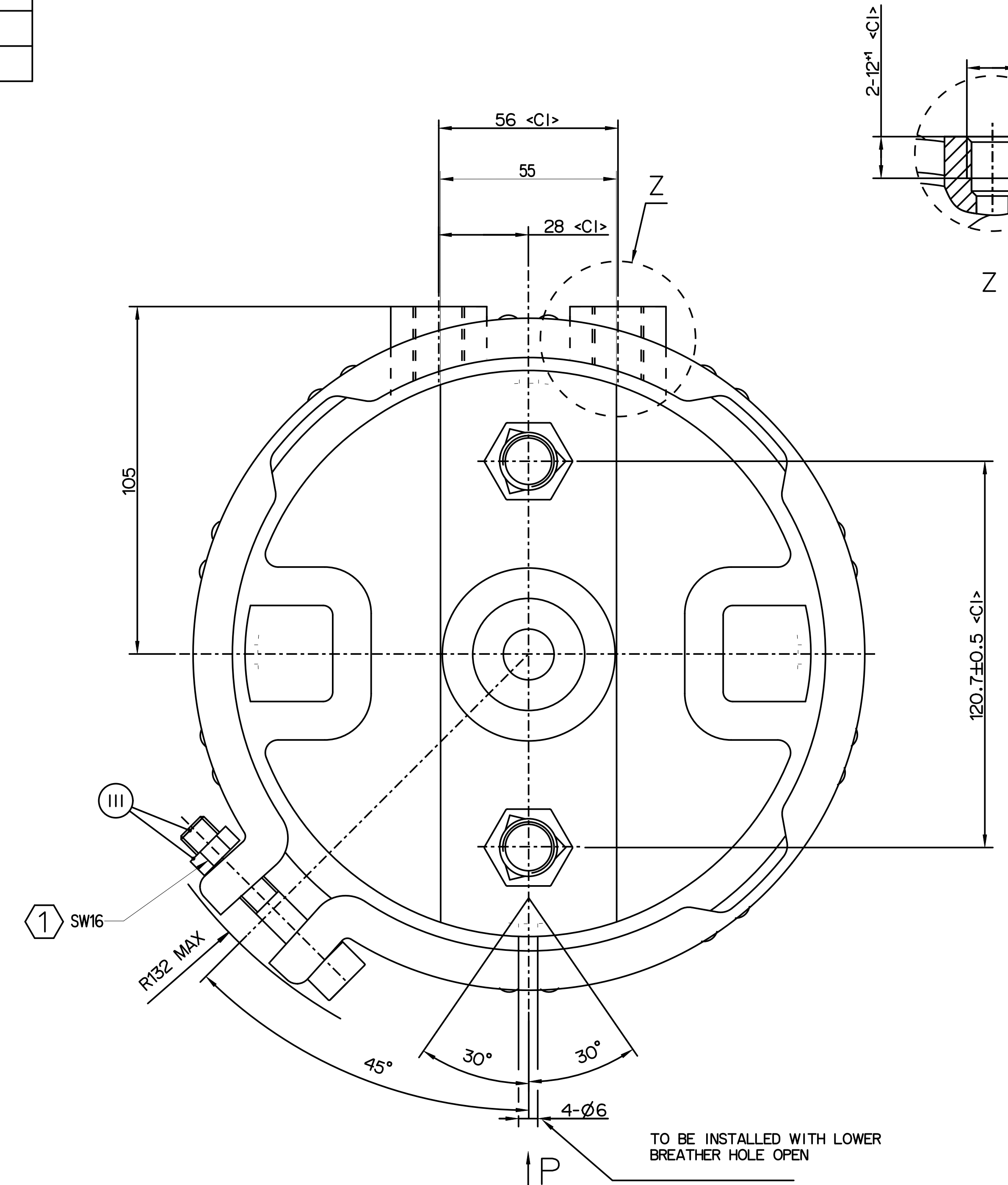


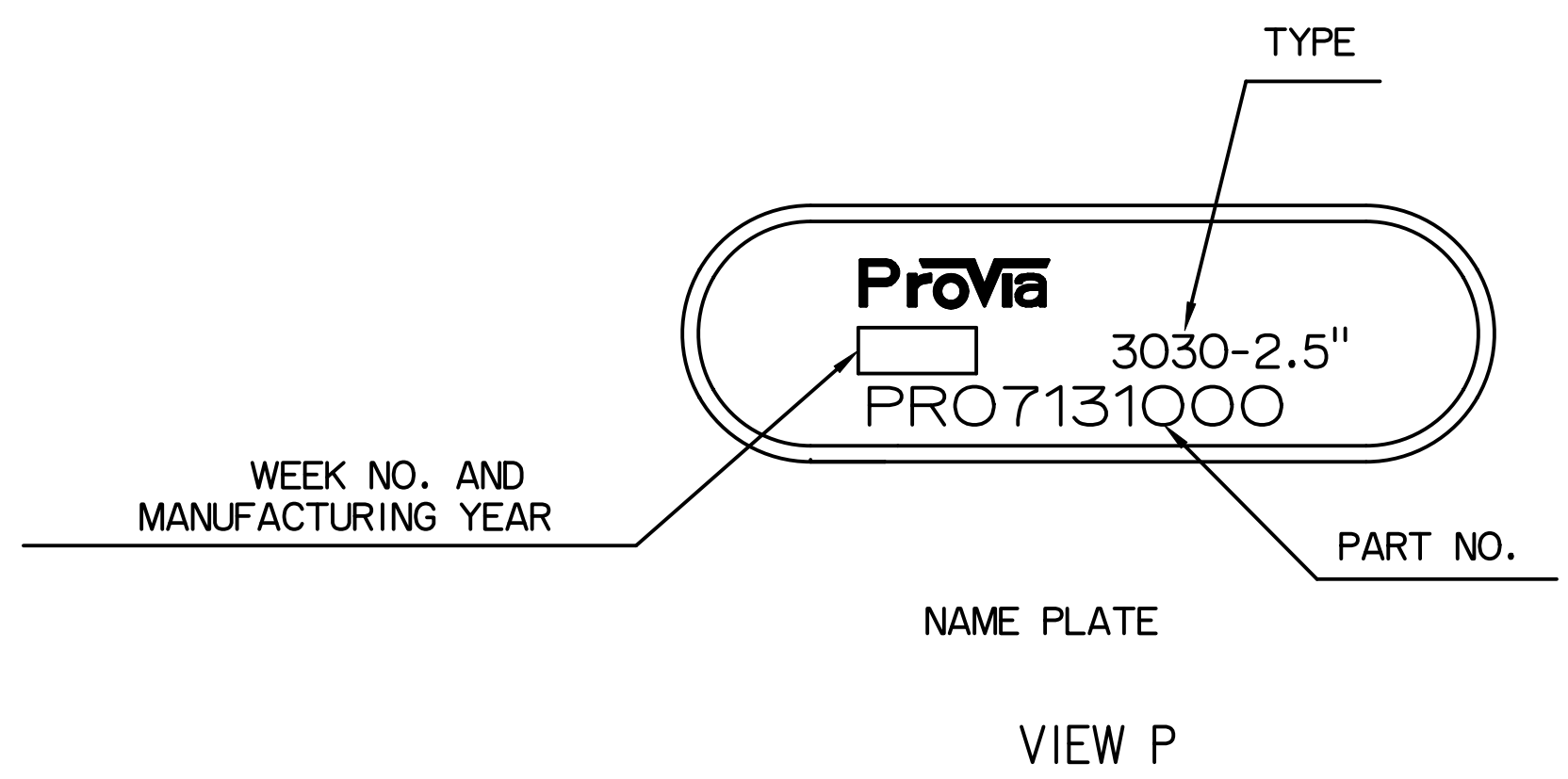
SURFACE PROTECTION	
I	ZINC PLATED WITH CR6+ FREE
II	ELECTRO-PAINTING
III	DACROMET
IV	SURFACE OXIDIZATION
V	RUBBER
VI	STICKERS
VII	BLACKENING

SAFETY CHARACTERISTICS	0
SIGNIFICANT CHARACTERISTICS	0
CUSTOMER INTERFACE	7



NOMINAL VALUES GIVEN FOR SERVICE SIDE, TOLERANCE BAND AS PER DIN 74060-1  
 NOMINAL VALUES GIVEN FOR SPRING SIDE, TOLERANCE BAND ±5%

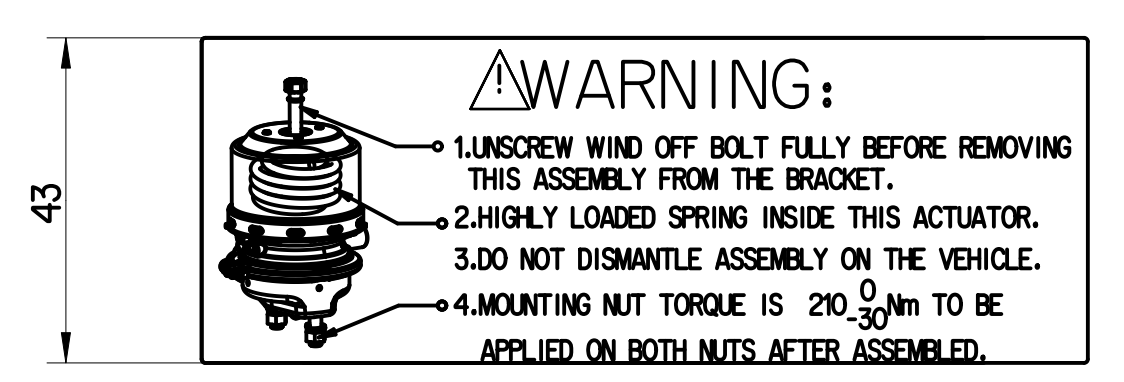
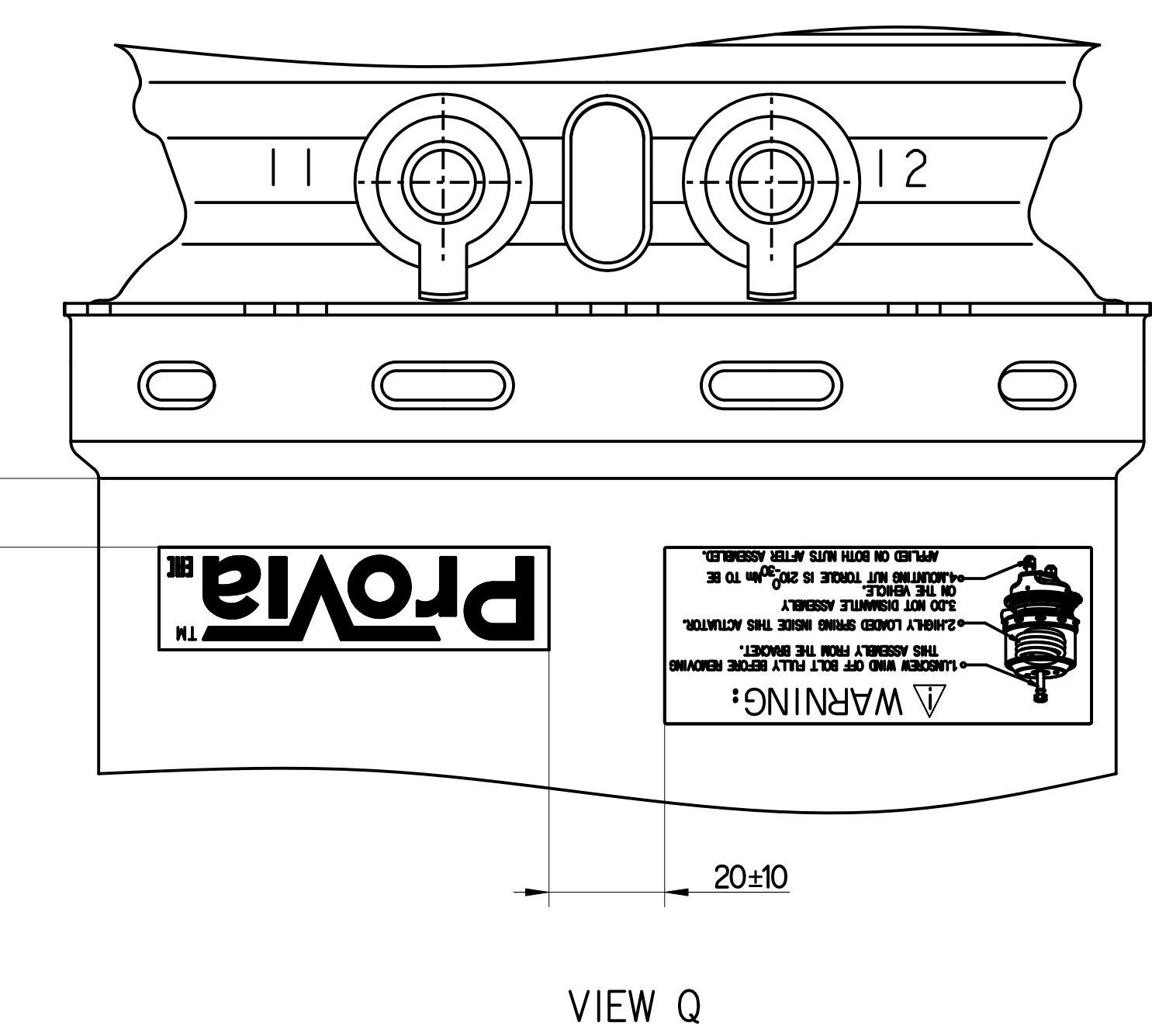
GRAPHS FOR INFORMATION ONLY



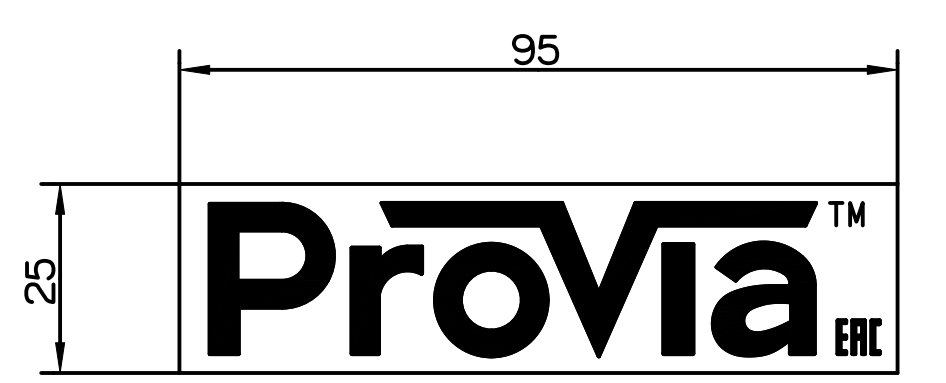
- ① TORQUE: ≥35Nm
- ② RELEASE POSITION, RELEASING WITH: 80Nm MAX.
- ③ DRIVING POSITION, TIGHTENING WITH: 25<sup>20</sup>0 Nm
- ④ TORQUE: MAX. 34Nm
- ⑤ ADMISSIBLE INSTALLATION POSITION
- ⑥ TORQUE: 210<sup>0</sup> Nm
- ⑦ DEFLECTION: 8° MAX AT STROKE: 0 mm
- ⑧ TORQUE: 70±10Nm
- ⑨ RELEASE POSITION, STAND-OUT DIMENSION

TECHNICAL REQUIREMENT:

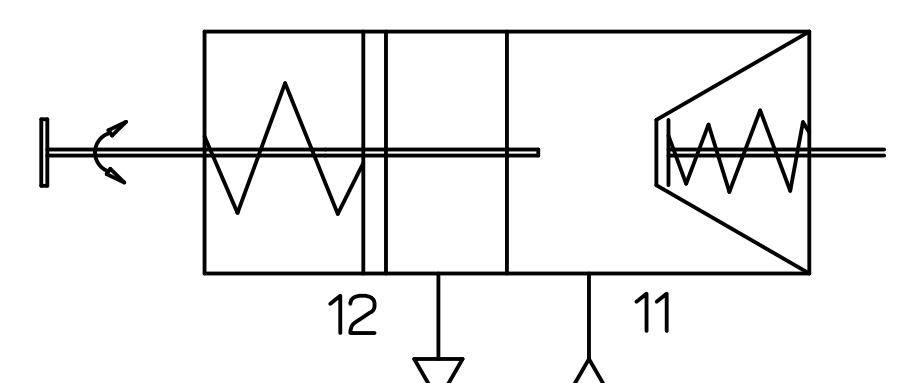
1. STROKE:  
SERVICE BRAKE: ≥65mm  
SPRING BRAKE: ≥65mm;
2. WORKING PRESSURE:  
SERVICE CHAMBER: Pmax 10.2 bar, TEMPORARILY 13 Bar;  
PARKING CHAMBER: Pmax 8.5 bar, TEMPORARILY 11 Bar.
3. WORKING TEMPERATURE: -40°C...+80°C; (-40°F...+176°F);
4. THE DRAWING IS AT CAGED CONDITION, THE PARKING CHAMBER WILL BE AT UNCAGED CONDITION DURING SHIPMENT;
5. WORKING MEDIUM: AIR.



STICKER A



STICKER B



General Specification: ISO 8738, JED-354-1, Size ISO 14000 LP		Copyright ©		ProVia	
Doc. Code: 0350	Sheet: 1	Date: 2024-07-30	Version: 1	Doc. Code: 0350	TRISTOP - BRAKE ACTUATOR
General Tolerances: JED-261		2024-07-30		Vergoresh	
Range of Nominal Dimensions (a, mm)					
Class	a1	a2	a3	a4	a5
Fine	±0.05	±0.10	±0.15	±0.2	±0.3
Medium	±0.1	±0.2	±0.3	±0.4	±0.5
Coarse	±0.2	±0.3	±0.5	±0.6	±1
Tapped holes acc. JED-152					
1) Tolerance class: Appoint Chromoderm					