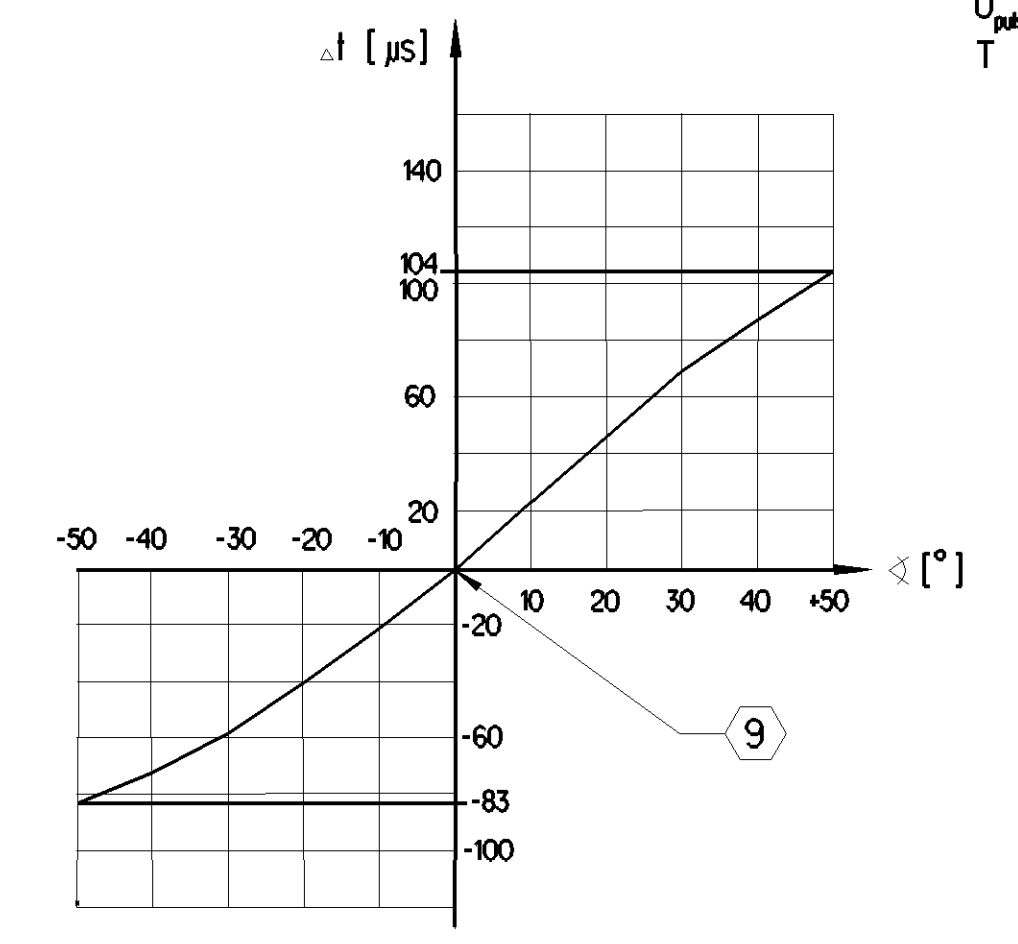
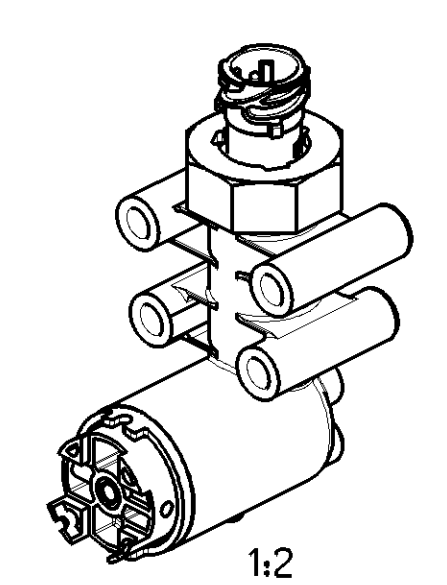
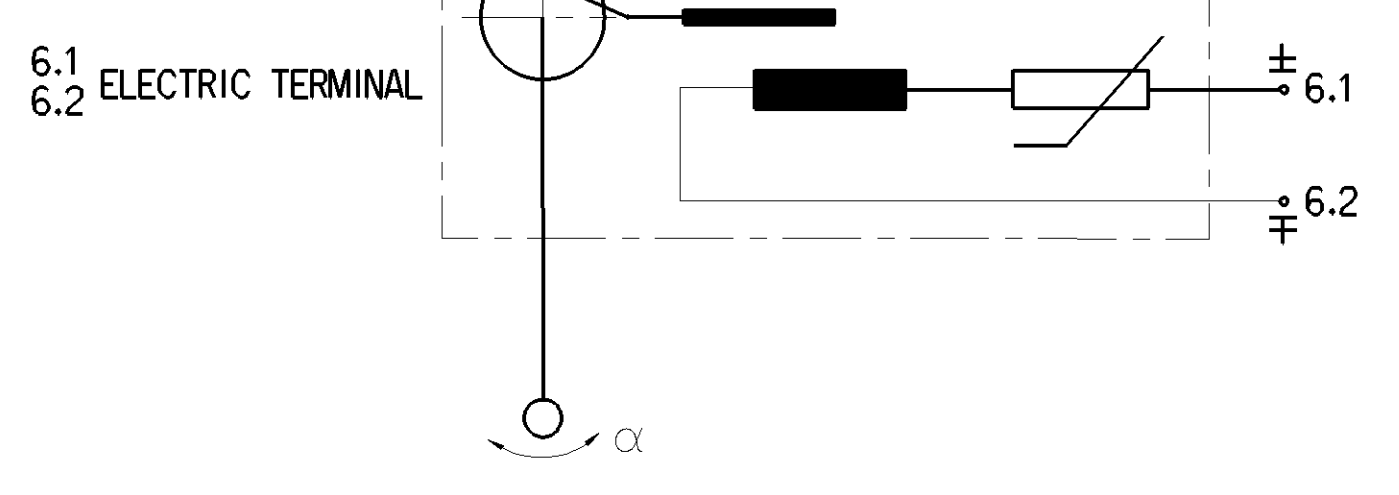


PLUG-IN CONNECTION: ISO 15170 - A1-2.1-Sn/K2

8 CHARACTERISTIC CURVE



NOMINAL CHARACTERISTIC CURVE FOR:  
 $U_{pulse} = 10 V$   
 $T = 20 °C$



14D10	+0.120 +0.050
∅4h8	0.000 -0.018

MEASURING PRINCIPLE:	INDUCTIVE
SUPPLY VOLTAGE:	PULSE 5 ... 15 V DC
CURRENT CONSUMPTION:	MAX. 100 mA
THERMAL RANGE OF APPLICATION UNDER NORMAL AMBIENT CONDITIONS:	-40°C ... +80°C
SHORT TIME HEAT RESISTANCE:	110°C FOR MAX. 1 h
MAINTENANCE REQUIREMENTS:	NONE
INSTALLATION LIMITATIONS:	NONE
AMBIENT MEDIUM:	AIR (WATER, OIL AND DUST CONTAINING)
DISTANCE SENSOR WITHOUT TEMPERATURE COMPENSATION	
CABLE BETWEEN SENSOR AND ELECTRONIC CONTROL UNIT (ECU) LENGTH: MAX. 15 m	WIRE CROSS SECTION: $\geq 1 \text{ mm}^2$
TYPE OF PROTECTION ACC. TO ISO 20653:	
- ELECTRICAL CONNECTION WITH INSTALLED PLUG:	IP 6K7 IP 6K9K
- COMPLETE DEVICE:	
OPERATING OF SENSOR IS POSSIBLE FROM FOUR SIDES; FOR THIS PURPOSE INSTALL RESPECTIVE TURN LEVER	
DISTANCE SENSOR CAN ONLY BE OPERATED IN CONNECTION WITH AN APPROPRIATE ADAPTION CIRCUIT	

- 1 OBSERVE THE POSITION OF THE RIBS TO THE LEVER VIEW STATE: SHAFT IN THE CENTRAL POSITION
- 2 FIXING OF THE SENSOR IN CENTRAL POSITION BY MEANS OF MANDREL 4h8
- 3 VIEW STATE: SHAFT IN THE LOWEST POSITION
- 4 OPERATING TORQUE  $M = CA. 1 \text{ Nm}$
- 5 ADMISSIBLE LENGTH RATIO:  $K < \frac{1}{3} L - 20 \text{ mm}$
- 6 CODE FOR PLUG
- 7 POSITION FROM THE CODE FOR PLUG
- 8 THE CHARACTERISTIC CURVE IS A FUNCTION OF THE OPERATING RANGE OF THE LEVER AND THE ELECTRIC SIGNAL OF  $U_{pulse}$  AT  $I_{coil}$
- 9 VALUE BEFORE CALIBRATION TO  $0 \mu s$  AT  $0^\circ$  DEFLECTION:  $147 \pm 15 \mu s$
- 10 MOUNTING TORQUE  $M = MAX. 12 \text{ Nm}$

General Specifications: ISO 8015, JED-334-1, Size ISO 14405 LP		Copyright WABCO®	
Further Technical Data: Product Specification		Date	Signature
Doc. Code: O35	Sheet: 1 To 9	2022-12-19	Verkalasolam
General Tolerances JED-261		Checked:	Kalkowski
Range of Nominal Dimensions (± mm)			
Class	1)	> 50 > 180	> 180 > 400
Fine		±0.5	±1 ±1.5 ±2
Medium	X	±1	±2 ±3 ±4 ±3°
Coarse		±2	±3.5 ±5 ±6.5
Dimensions in mm		Mass	Scale
		0.201 kg	1:1 (1:2)
		Size	CAD System
		A 1	CREO
Tapped Holes acc. -		EDM-No.	Revision
		512832	2x A
		Material No.	Techn. Resp.
		PRO 412 021 0	6660_AM
		Date of first issue:	2022-05-12
		Doc.Code	Language
		005	EN
		Sheet	1/1

Tutti i diritti sono riservati. È vietata espressamente la ristampa o l'uso non autorizzato senza permesso scritto dalla WABCO. Tutti i diritti sono riservati. È vietata espressamente la ristampa o l'uso non autorizzato senza permesso scritto dalla WABCO. All rights reserved. No part of this document may be reproduced or transmitted in any form or by any means without prior written permission from WABCO.