

MATERIAL AND SURFACE PROTECTION	
I	AL JED-029M1 / JED-259
II	FE JED-021M1 / JED-256-4
III	FE JED-051M1 / JED-739-4
IV	POM JED-005MO

VIEW P
NAME PLATE DETAILS

DATA MATRIX CODE
 DATENMATRIXCODE
 CODE DE MATRICE DE DONNÉES
 CODICE MATRICE DATI

MANUFACTURING PLANT
 PRODUKTIONSSTAETTE
 LIEU DE FABRICATION
 LUOGO DI FABBRICAZIONE

WEEK / YEAR OF MANUFACTURE
 FERTIGUNGSWOCHE / JAHR
 SEMAINE / ANNEE DE FABRICATION
 SETTIMANA / ANNO DELLA FABBRICAZIONE

ProVia IDENTIFICATION NUMBER
 ProVia TEILE NUMMER
 NUMERO D'IDENTIFICATION ProVia
 NUMERO D'IDENTIFICAZIONE



MAX. PERMISSIBLE PRESSURE (TEMPORARY WITHOUT FUNCTION):
 MAXIMAL ZULAESSIGER DRUCK (KURZZEITIG OHNE FUNKTION):
 PRESSION MAXIMALE ADMISSIBLE (DE COURTE DUREE SANS FONCTION):
 MASSIMA PRESSIONE AMMISSIBILE (BREVE TEMPO SOLO SENZA FUNZIONE): $p_0 \text{ max.} = 20 \text{ bar}$

MEDIUM: AIR
 MEDIUM: LUFT
 FLUIDE: AIR
 FLUIDO: ARIA

THERMAL RANGE OF APPLICATION:
 THERMISCHER ANWENDUNGSBEREICH:
 GAMME D'APPLICATION THERMIQUE:
 CAMPO DI APPLICAZIONE TERMICA: $-40^\circ\text{C} \dots +80^\circ\text{C}$

NOMINAL DIAMETER MIN.:
 MIN. FREIER DURCHGANG:
 DIAMETRE NOMINAL MIN.:
 DIAMETRO NOMINALE MIN.: $\varnothing 10 \text{ mm} (78.5 \text{ mm}^2)$

INSTALLATION POSITION AS DRAWN:
 EINBAULAGE, WIE GEZEICHNET:
 POSITION D'INSTALLATION SUIVANT DESSIN:
 POSIZIONE DI MONTAGGIO COME DISEGNATO: $\pm 45^\circ$

INLET PRESSURE:
 1= EINGESTEUERTER DRUCK:
 PRESSION D'ALIMENTATION:
 PRESSIONE DI ALIMENTAZIONE: $p_1 = 16 \text{ bar}$

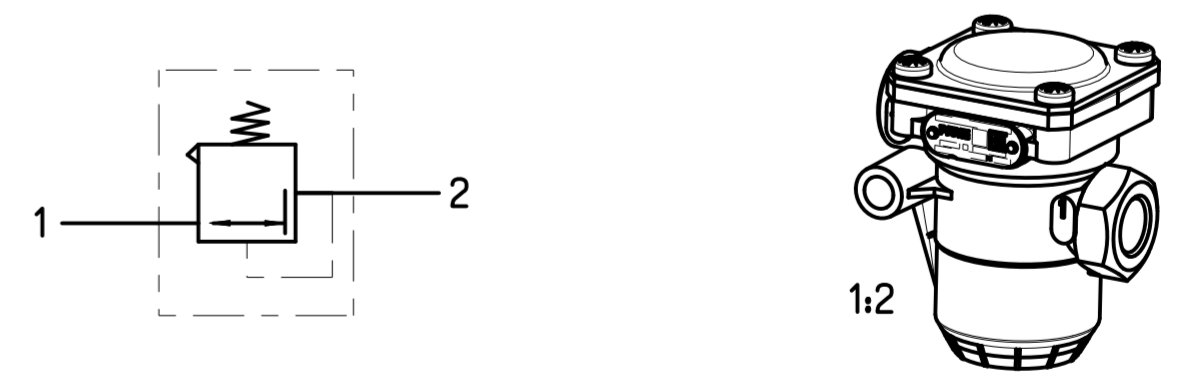
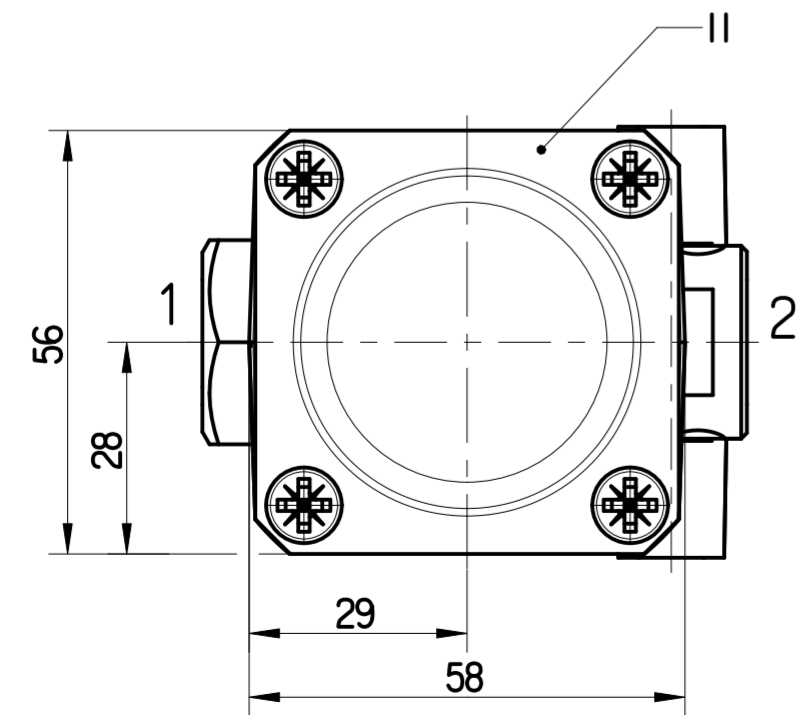
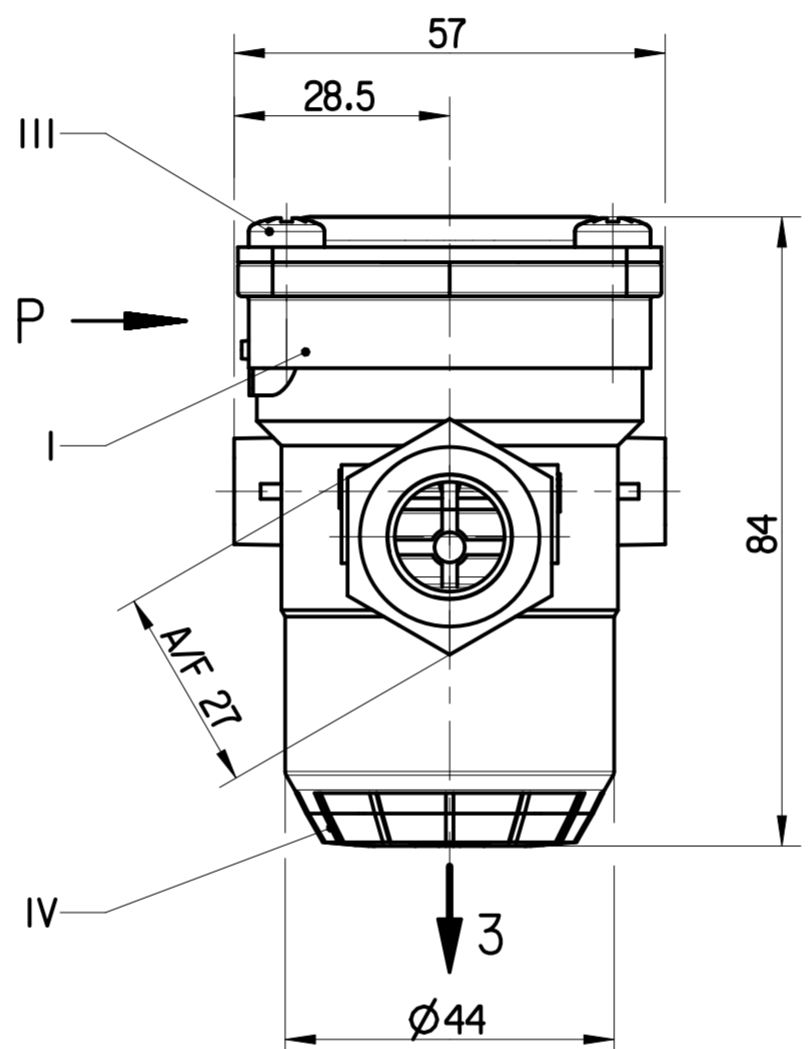
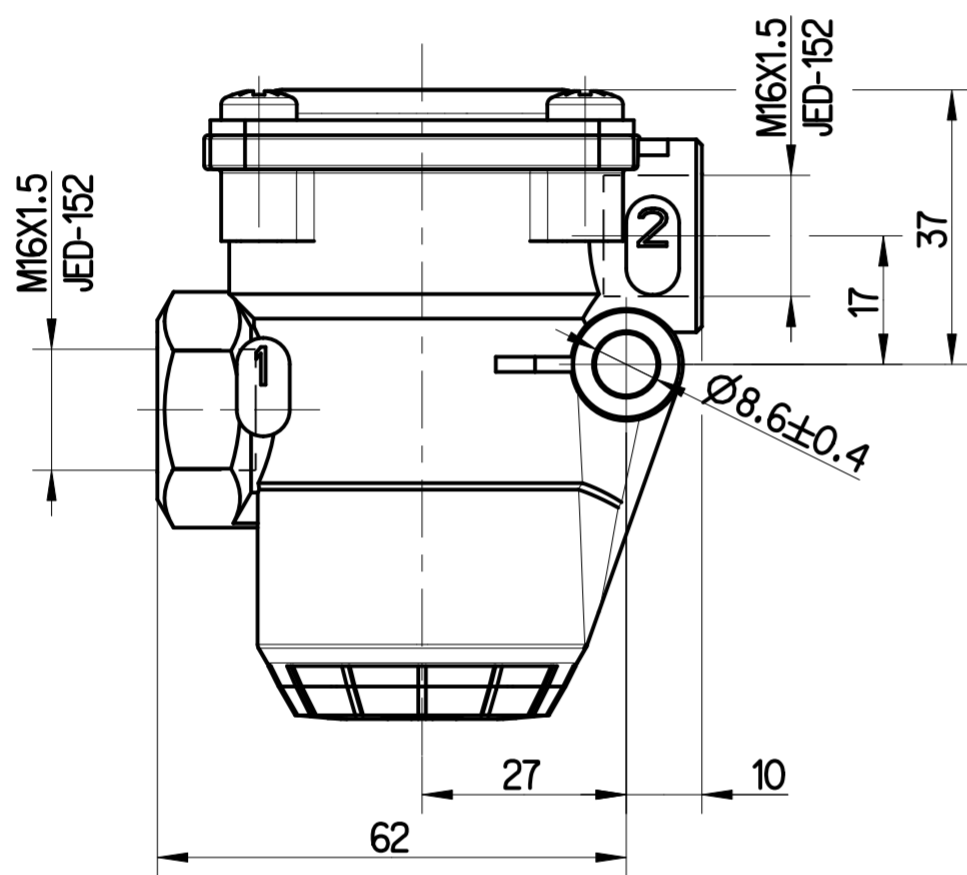
DELIVERY PRESSURE
 2= AUSGESTEUERTER DRUCK
 PRESSION DELIVREE
 PRESSIONE EROGATA

PRESSURE LIMITATION:
 DRUCKBEGRENZUNG:
 LIMITATION DE PRESSION:
 LIMITAZIONE DELLA PRESSIONE: $p_2 = 7.4 +0.3/-0.1 \text{ bar}$

EXHAUST
 3= ENTLUEFTUNG
 ECHAPPEMENT
 SCARICO

OPENING OF SAFETY VALVE
 OEFFNUNG DES SICHERHEITSVENTILS
 OUVERTURE DE LA SOUPAPE DE SECURITE
 APERTURA DELLA VALVOLA DI SICUREZZA: $p_2 + 2.5 \text{ bar (MAX.)}$

TORQUE FOR CONNECTIONS:
 ANZUGSMOMENT FUER EINSCHRAUBSTUTZEN:
 COUPLE DE SERRAGE DES RACCORDS:
 COPPIA DI SERRAGGIO DEI RACCORDI: $M16x1.5: M_{\text{max.}} = 34 \text{ Nm}$



General Specification: ISO 8015, JED-334-1, Size ISO 14405 LP		Copyright ZF®		ProVia	
Further Technical Data: PRO 643 031 0		Date	Signature		
Doc. Code: 035	Sheet: 1 To 5	2024-08-30	G Vishnu	PRESSURE LIMITING VALVE	
General Tolerances JED-261		Checked		DRUCKBEGRENZUNGSVENTIL	
Range of Nominal Dimensions (± mm)		2024-08-30		VALVE DE LIMITATION DE PRESSION	
Class 1)	< 50	50 ≤ 180	180 ≤ 400	> 400	VALVOLA LIMITATRICE DI PRESSIONE
Fine	±0.5	±1	±1.5	±2	
Medium	±1	±2	±3	±4	
Coarse	±2	±3.5	±5	±6.5	
Tapped Holes acc. JED-152		Dimensions in mm		Material No.	
1) Tolerance Class Applied Crossmarked		Mass	Scale	Date of first issue: 2019-06-05	
		0.379 kg	1:1 (1:2)	PRO 643 001 0	
		Size	CAD System	Doc.Code	Language
		A 2	CREO	005	ML
		ECN-No.		Revision	Techn. Resp.
		516314		2 x B	5160_AM
		Replacement for			

Non e permesso copiare, o terzi o riprodurre questo documento, ne utilizzare il contenuto o renderlo comunque noto o terzi senza autorizzazione esplicita. Ogni infrazione costituisce un evidente abuso e comportera il risarcimento dei danni subiti. E' fatta riserva di tutti i diritti derivanti da brevetti o modelli.

Toute communication ou reproduction de ce document, toute exploitation ou communication de son contenu sont interdites, sauf autorisation expresse. Tout non-respect de cette regle constitue un abus evident et expose son auteur au versement de dommages et interets. Tous droits de propriete industrielle reserves, notamment en matiere de brevets et de modesles.

Copying of this document and giving it to others and the use or communication of the contents thereof, are forbidden without express authority. Contention of this restriction will constitute an evident abuse and result in a liability to the payment of damages. All rights are reserved in the event of the grant of patent or registration of a utility model or design. This document is the subject of copyright.

Weitergabe sowie Vervielfältigung dieses Unterlagen, Verleihen und Mitteilen ihres Inhalts nicht gestattet, soweit nicht ausdrücklich anders besprochen. Zuwiderhandlungen stellen einen offensichtlichen Missbrauch dar und verpflichten zu Schadensersatz. Alle Rechte fuer den Fall der Patentierung oder Gebrauchsmuster-Eintragung vorbehalten.

dnr: PRO6430010_005 / Version: A.3 / state: Approved / mdf: PRO6430010_005