

MATERIAL AND SURFACE PROTECTION	
I	AL JED-029M1 / JED-259
II	FE JED-021M1 / JED-256-4
III	FE JED-051M1 / JED-739-4
IV	POM JED-005MO

DATA MATRIX CODE  
DATENMATRIXCODE  
CODE DE MATRICE DE DONNÉES  
CODICE MATRICE DATI

VIEW P  
NAME PLATE DETAILS

MANUFACTURING PLANT  
PRODUKTIONSSTAETTE  
LIEU DE FABRICATION  
LUOGO DI FABRICAZIONE  
WEEK / YEAR OF MANUFACTURE  
FERTIGUNGSWOCHE / JAHR  
SEMAINE / ANNEE DE FABRICATION  
SETTIMANA / ANNO DELLA FABRICAZIONE

ProVia IDENTIFICATION NUMBER  
ProVia TEILE NUMMER  
NUMERO D'IDENTIFICATION ProVia  
NUMERO D'IDENTIFICAZIONE



MAX. PERMISSIBLE PRESSURE (TEMPORARY WITHOUT FUNCTION):  
MAXIMAL ZULAESSIGER DRUCK (KURZZEITIG OHNE FUNKTION):  $p_0 \text{ max.} = 20 \text{ bar}$   
PRESSION MAXIMALE ADMISSIBLE (DE COURTE DUREE SANS FONCTION):  
MASSIMA PRESSIONE AMMISSIBILE (BREVE TEMPO SOLO SENZA FUNZIONE):

MEDIUM: AIR  
MEDIUM: LUFT  
FLUIDE: AIR  
FLUIDO: ARIA

THERMAL RANGE OF APPLICATION:  
THERMISCHER ANWENDUNGSBEREICH:  
GAMME D' APPLICATION THERMIQUE:  
CAMPO DI APPLICAZIONE TERMICA:  $-40^\circ\text{C} \dots +80^\circ\text{C}$

NOMINAL DIAMETER MIN.:  
MIN. FREIER DURCHGANG:  
DIAMETRE NOMINAL MIN.:  $\varnothing 10 \text{ mm} (78.5 \text{ mm}^2)$   
DIAMETRO NOMINALE MIN.:

INSTALLATION POSITION AS DRAWN:  
EINBAULAGE, WIE GEZEICHNET:  
POSITION D' INSTALLATION SUIVANT DESSIN:  $\pm 45^\circ$   
POSIZIONE DI MONTAGGIO COME DISEGNATO:

INLET PRESSURE:  
1= EINGESTEUERTER DRUCK:  
PRESSION D' ALIMENTATION:  $p_1 = 11 \text{ bar}$   
PRESSIONE DI ALIMENTAZIONE:

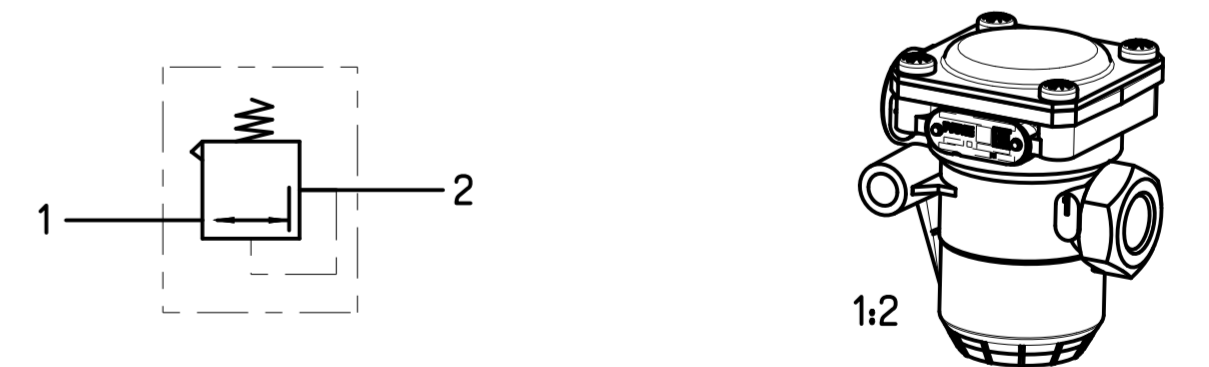
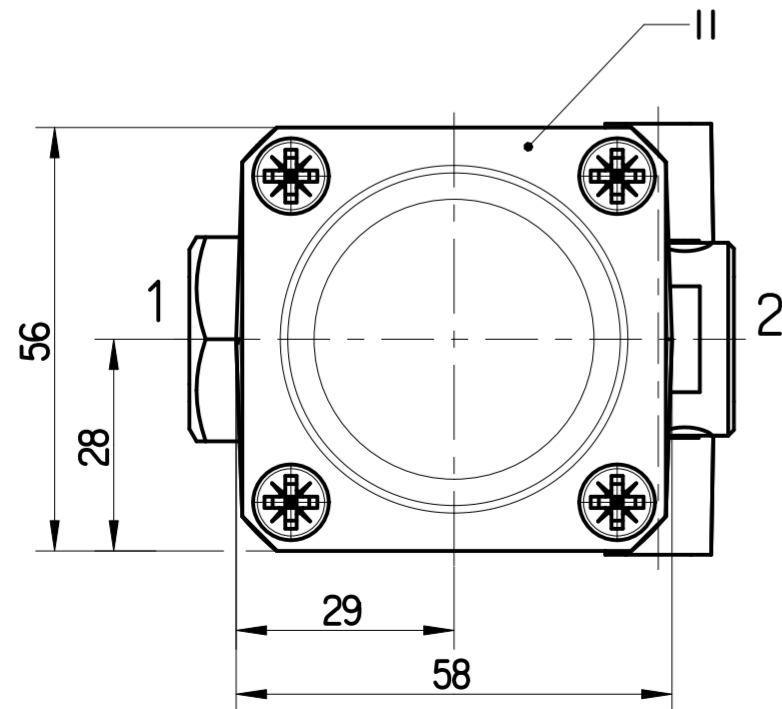
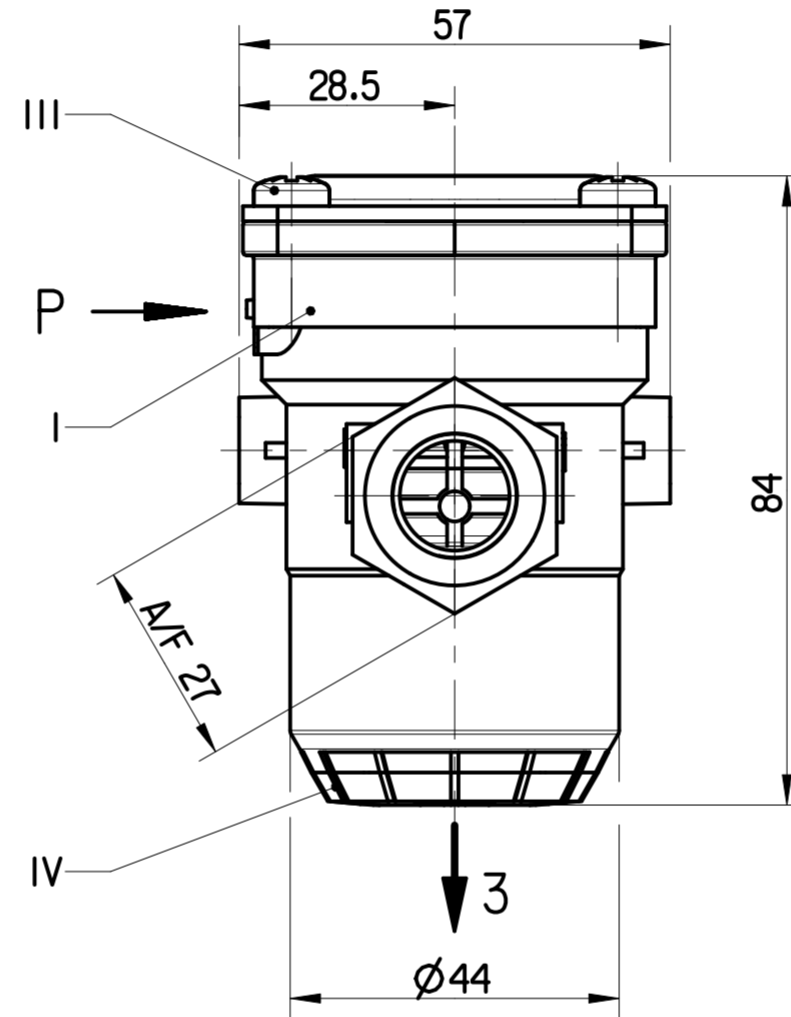
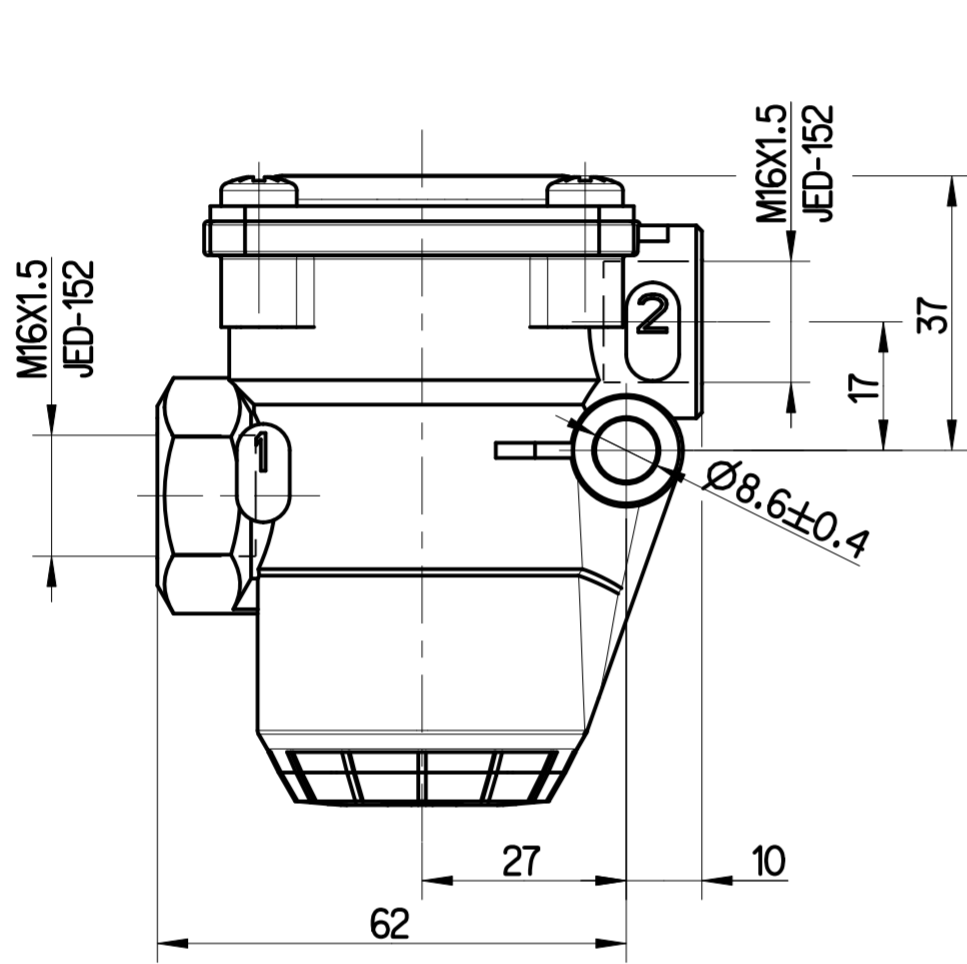
DELIVERY PRESSURE  
2= AUSGESTEUERTER DRUCK  
PRESSION DELIVREE  
PRESSIONE EROGATA

PRESSURE LIMITATION:  
DRUCKBEGRENZUNG:  $p_2 = 9.5 \pm 0.4 \text{ bar}$   
LIMITATION DE PRESSION:  
LIMITAZIONE DELLA PRESSIONE:

EXHAUST  
3= ENTLUEFTUNG  
ECHAPPEMENT  
SCARICO

OPENING OF SAFETY VALVE  
OEFFNUNG DES SICHERHEITSVENTILS  
OUVERTURE DE LA SOUPEPE DE SECURITE  
APERTURA DELLA VALVOLA DI SICUREZZA:  $p_2 + 2.5 \text{ bar (MAX.)}$

TORQUE FOR CONNECTIONS:  
ANZUGSMOMENT FUER EINSCHRAUBSTUTZEN:  
COUPLE DE SERRAGE DES RACCORDS:  
COPPIA DI SERRAGGIO DEI RACCORDI:  $M16x1.5: M_{\text{max.}} = 34 \text{ Nm}$



General Specification: ISO 8015, JED-334-1, Size ISO 14405 LP		Copyright ZF®		<b>ProVia</b>	
Further Technical Data: PRO 643 031 0		Date	Signature	Date of first issue: <b>2019-06-03</b>	
Doc. Code: 035	Sheet: 1 To 5	2024-08-29	G Vishnu	Doc.Code Language Sheet	
General Tolerances JED-261		Checked		005 ML 1/1	
Range of Nominal Dimensions ( ± mm)		Pakula		Replacement for	
Class 1)	< 50 > 50 < 180 > 180 < 400 > 400	Dimensions in mm		ECN-No. Revision Techn. Resp.	
Fine	±0.5 ±1 ±1.5 ±2	Mass	Scale	516314 2 x B 5160_AM	
Medium	±1 ±2 ±3 ±4	0.377 kg	1:1 (1:2)	-	
Coarse	±2 ±3.5 ±5 ±6.5	Size	CAD System	-	
Tapped Holes acc. JED-152		A 2	CREO	-	
1) Tolerance Class Applied Crossmarked					

<CI> CUSTOMER INTERFACE

0

100mm

Non e permesso copiare, o terzi o riprodurre questo documento, ne utilizzare il contenuto o renderlo comunque noto o terzi senza autorizzazione esplicita. Ogni infrazione costituisce un evidente abuso e comportera il risarcimento dei danni subiti. E' fatta riserva di tutti i diritti derivanti da brevetti o modelli.

Copying of this document and giving it to others and the use or communication of the contents hereof, are forbidden without express authority. Contention of this restriction will constitute an evident abuse and result in a liability to the payment of damages. All rights are reserved in the event of the grant of patent or registration of a utility model or design. This document is the subject of copyright.

Tout e permis de copier, ou reproduire ce document, ou communiquer son contenu sans autorisation expresse. Toute infraction constitue un abus evident et expose son auteur au versement de dommages et interets. Tous droits de proprieete industrielle reserves, notamment en matiere de brevets et de modeles.

Weitergabe sowie Vervielfältigung dieser Unterlagen, Verwertung und Mitteilung ihres Inhalts nicht gestattet, soweit nicht ausdrücklich anders besprochen. Zuwiderhandlungen stellen einen offensichtlichen Missbrauch dar und verpflichten zu Schadensersatz. Alle Rechte fuer den Fall der Patentierung oder Gebrauchsmuster-Eintragung vorbehalten.

Doc: PRO6430310...005 / Version: A.3 / Status: Under Review / mfr: PRO6430310...A02